



## HPS III-MHR122 radial version

Technical data

Version 04/2023

## HPS III-MHR122 radial version

for use as system nozzle directly under the manifold

### Dimensions and tip versions

Number of tips	1, 2
Version	System nozzle for standard installation
Nozzle length ( <b>Dim. G</b> ) <sup>(1)</sup>	90

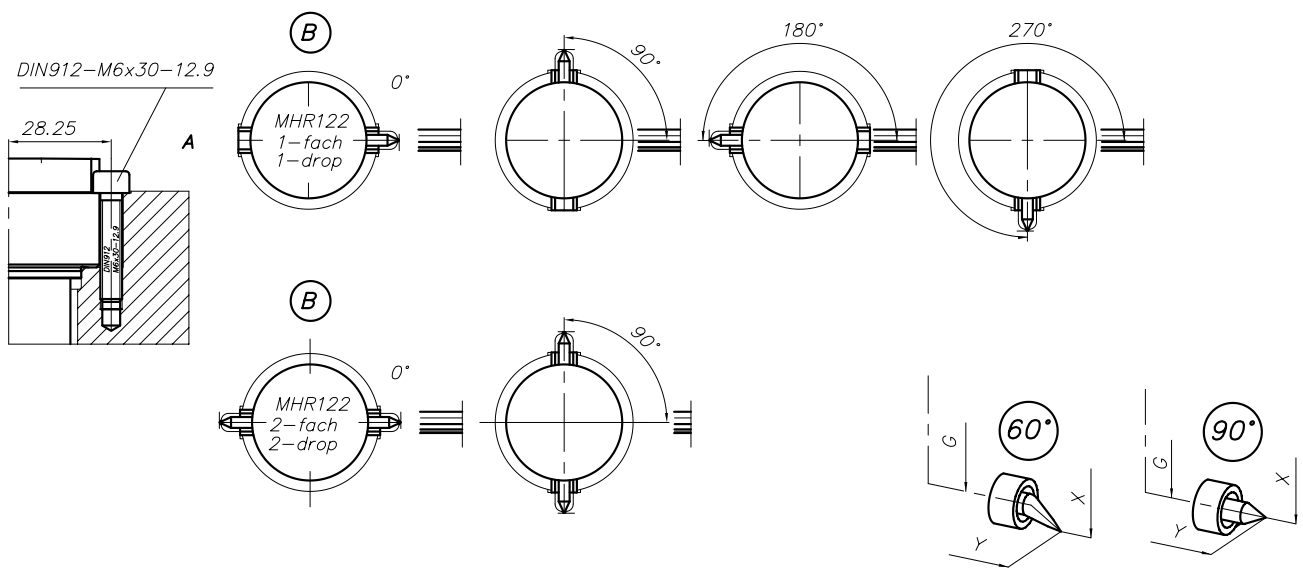
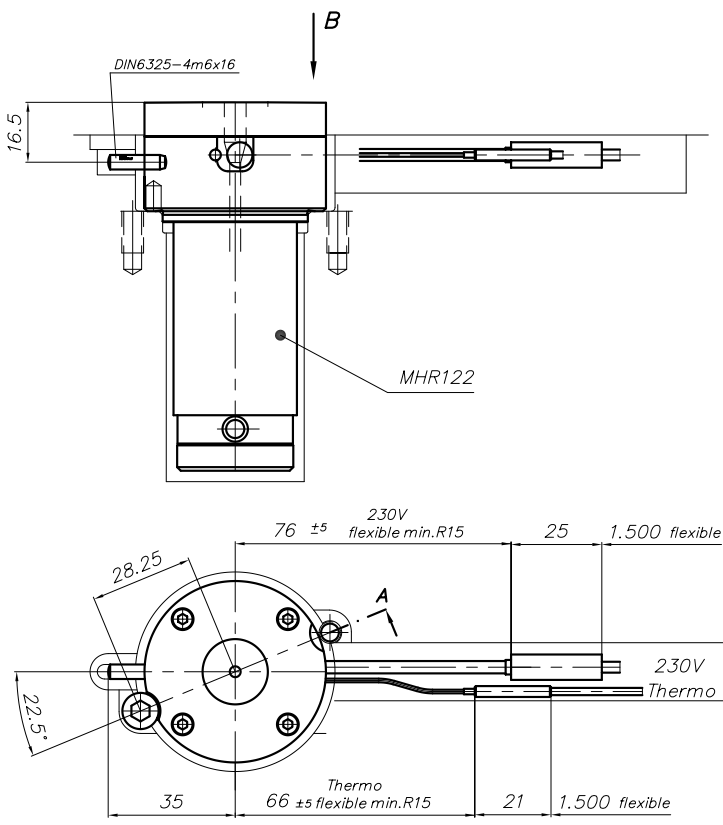
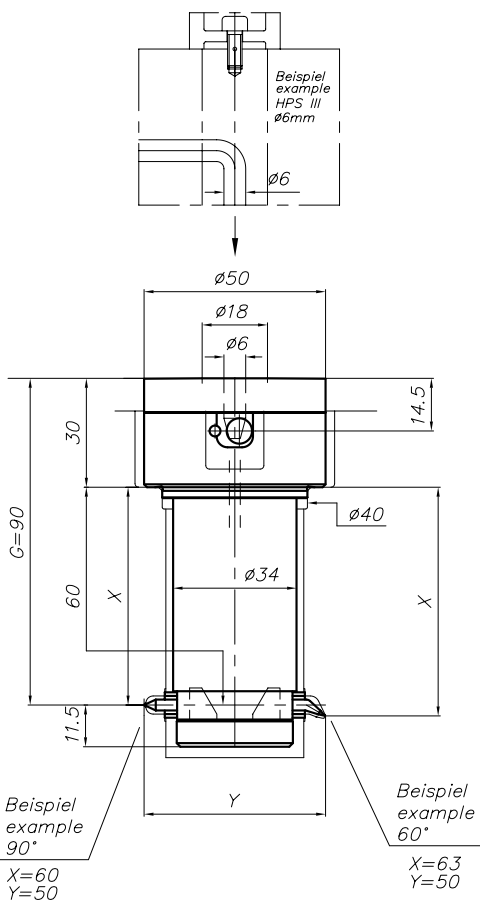
Tip versions	90°	60°
Pitch diameter ( <b>Dim. Y</b> )	50	50
<b>Dim. X</b>	60	63
Recommended gate diameters	0.5 - 1.2	0.8 - 1.0

(1) Other nozzle lengths available on request

### Item number:

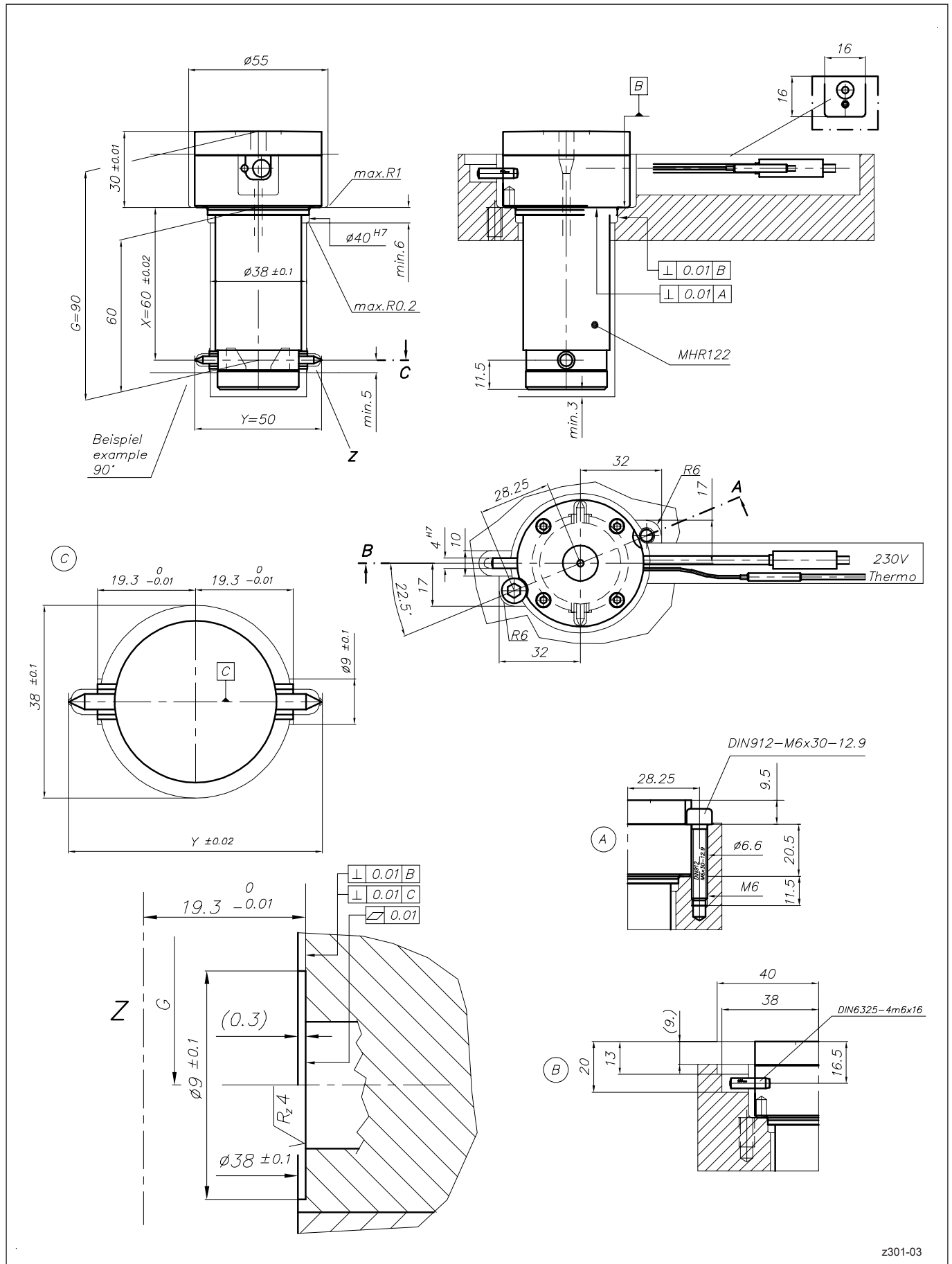
System nozzle: **MHR122-95...**

**Each nozzle will be configured individually to suit your application requirements. Please contact us!**



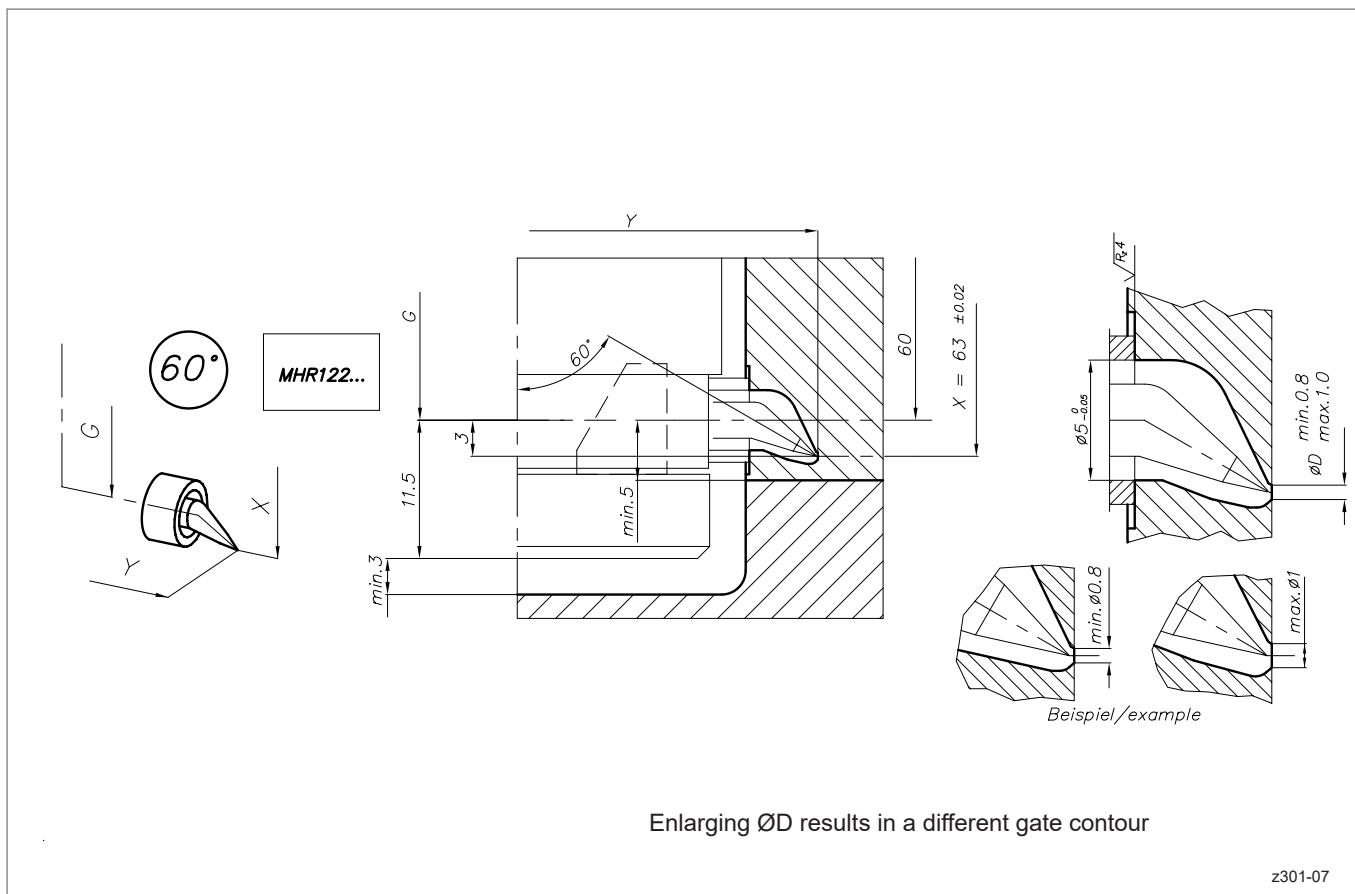
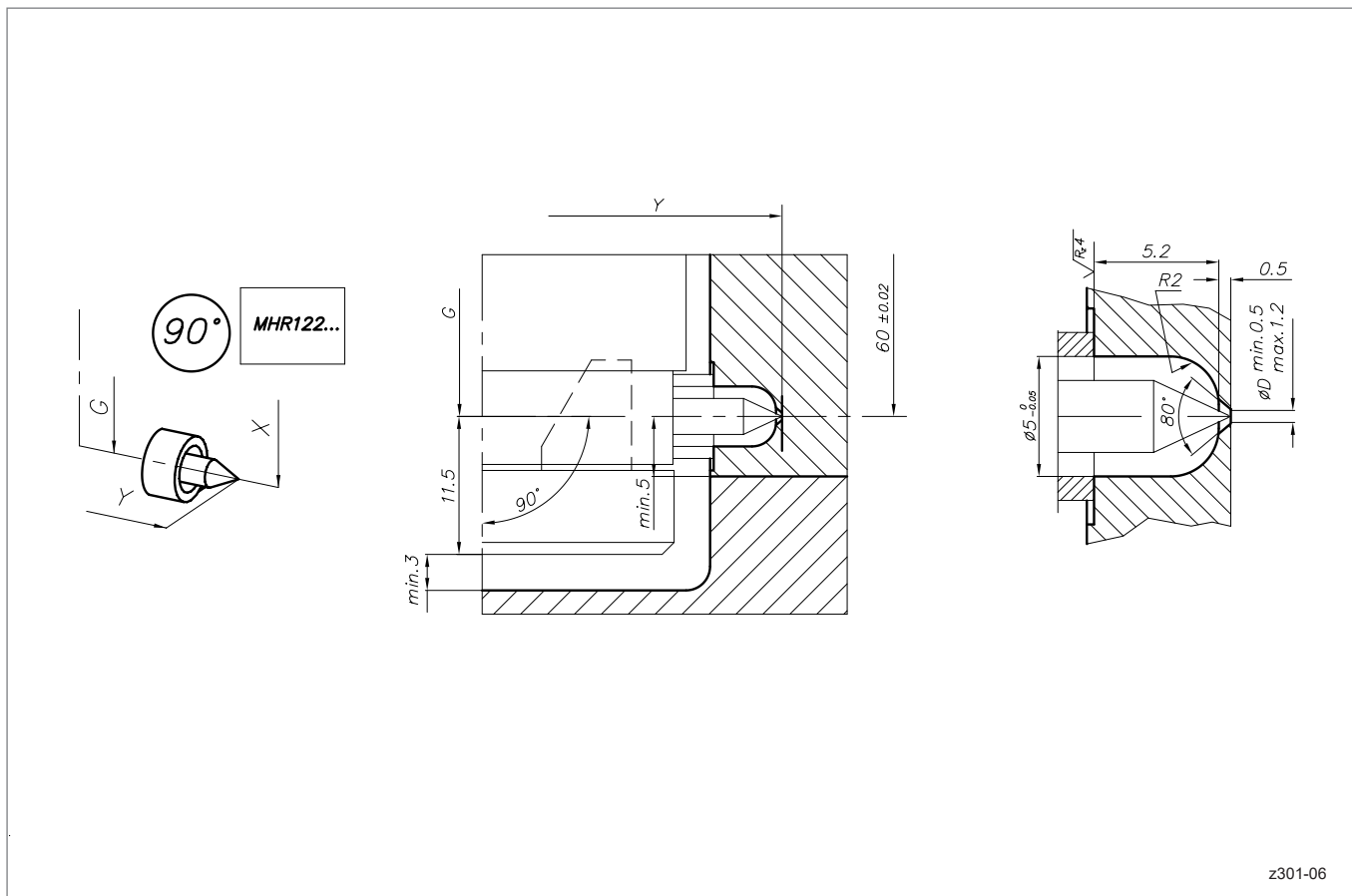
# HPS III-MHR122 radial version

## Installation



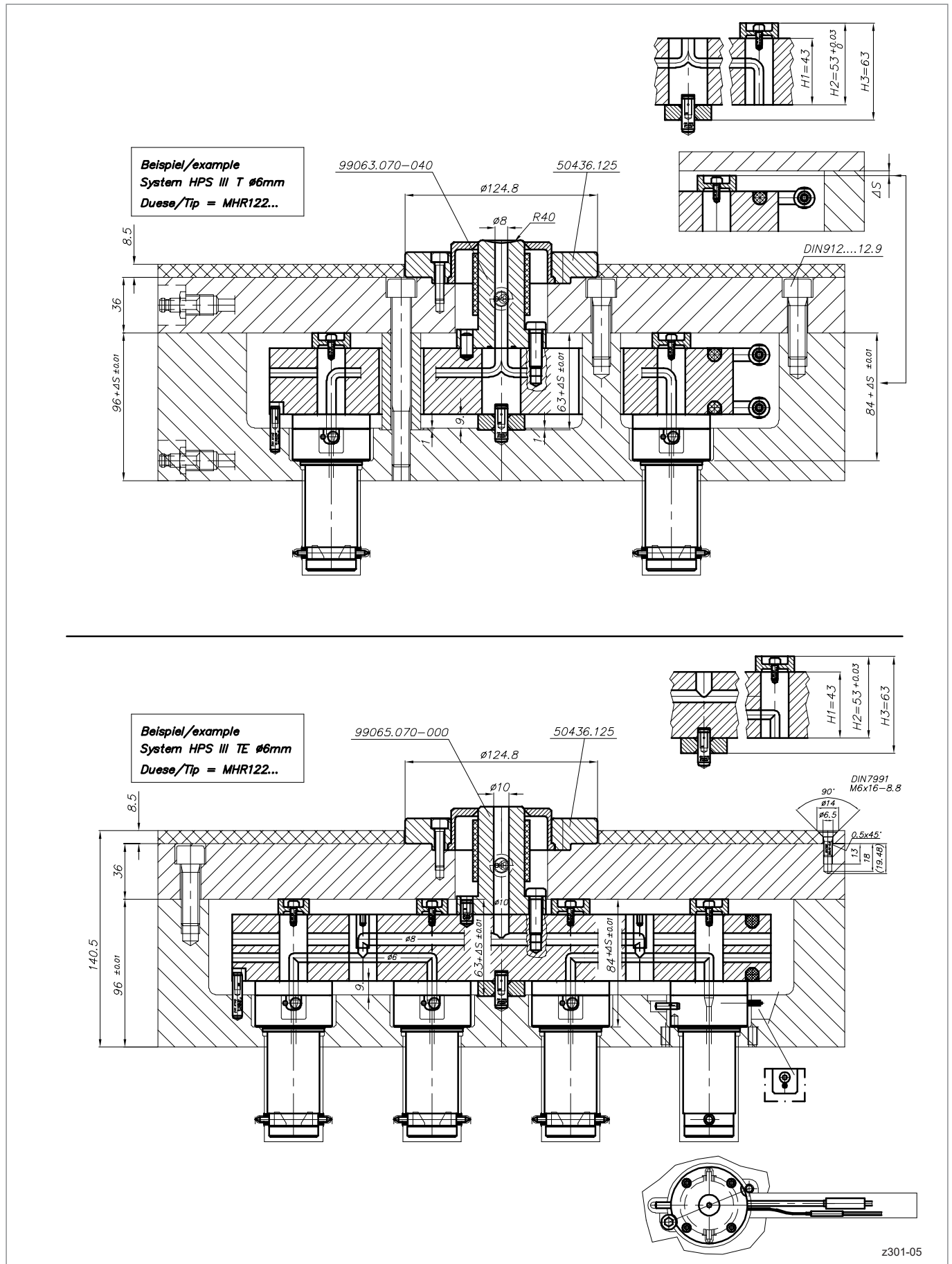
# HPS III-MHR122 radial version

Details of gating geometries



# HPS III-MHR122 radial version

Assembly example





**EWIKON Heißkanalsysteme GmbH**  
Siegener Straße 35 • 35066 Frankenberg / Germany  
Tel: +49 6451 501-0 • E-Mail: [info@ewikon.com](mailto:info@ewikon.com)  
[www.ewikon.com](http://www.ewikon.com)

Technical information subject to alteration | EWIKON 04/2023 EN

