



HPS III-MHR112 radial version

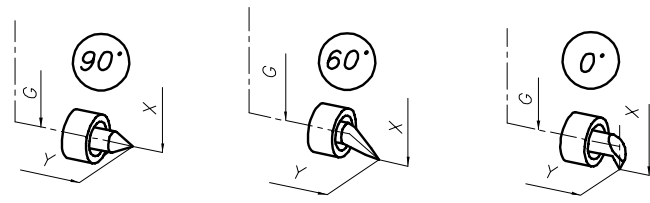
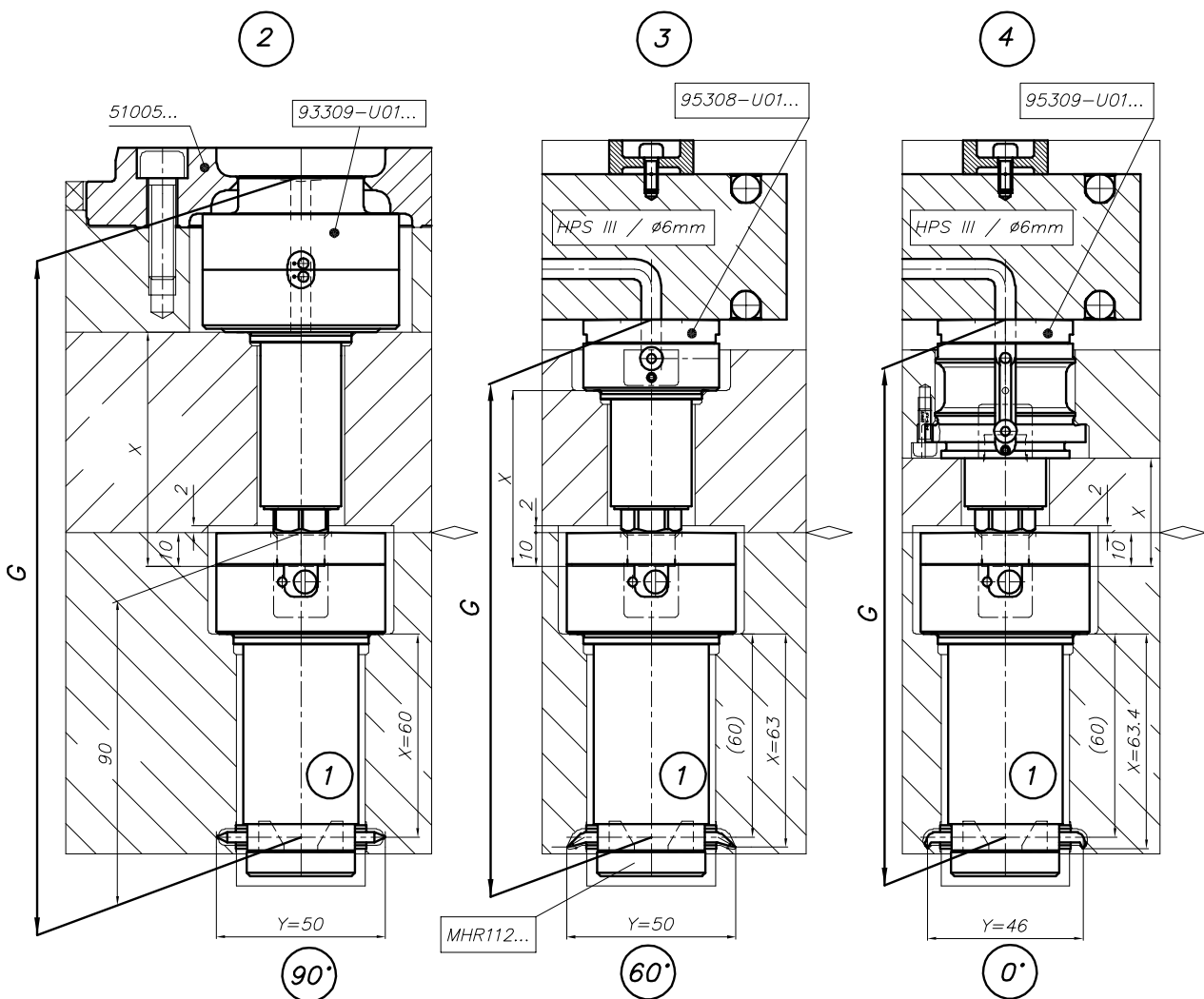
Technical data

Version 03/2021

HPS III-MHR112 radial version

Overview

- 1** HPS III-MHR112 radial version
for use with adapter nozzle
- 2** Adapter nozzle 93309-U01...
for use as single nozzle
- 3** Adapter nozzle 95308-U01...
Standard installation for use as system nozzle
- 4** Adapter nozzle 95309-U01...
Front installation for use as system nozzle



HPS III-MHR112 radial version

for use with adapter nozzle

Dimensions and tip versions

Number of tips	1, 2		
Version	With adapter nozzle as single nozzle	With adapter nozzle as system nozzle for standard installation	With adapter nozzle as system nozzle for front installation
Nozzle length (Dim. G) (1)	178, 198, 218, 238, 258, 278	153, 173, 193, 213, 233, 253, 273	173, 193, 213, 233, 253, 273

Tip versions	90°	60°	0°
Pitch diameter (Dim. Y)	50	50	46
Dim. X	60	63	63.4
Recommended gate diameters	0.5 - 1.2	0.6 - 1.0	0.5 - 1.2

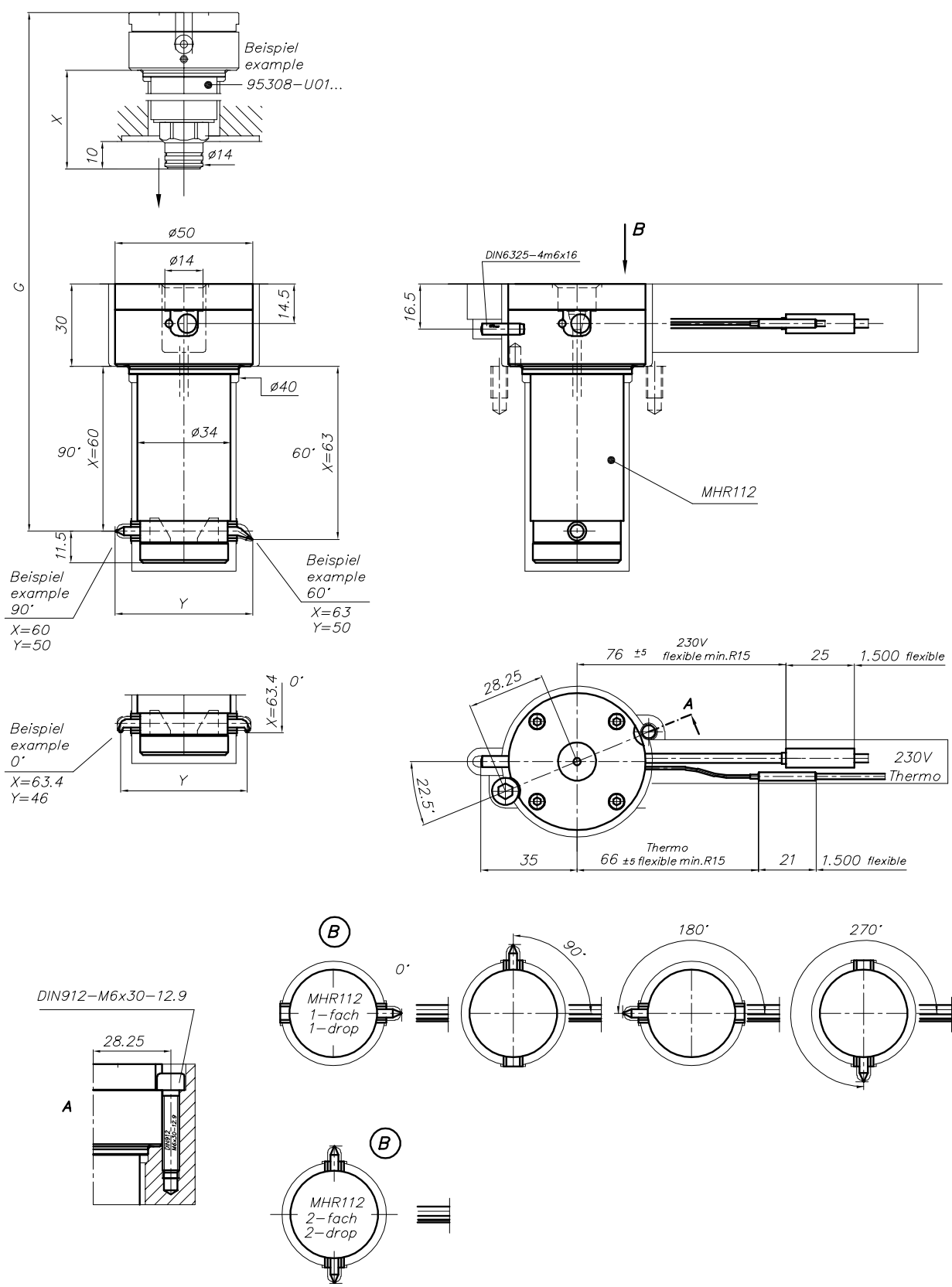
(1) Other nozzle lengths available on request

Item numbers:

For use with adapter nozzle as system nozzle: **MHR112-95...**

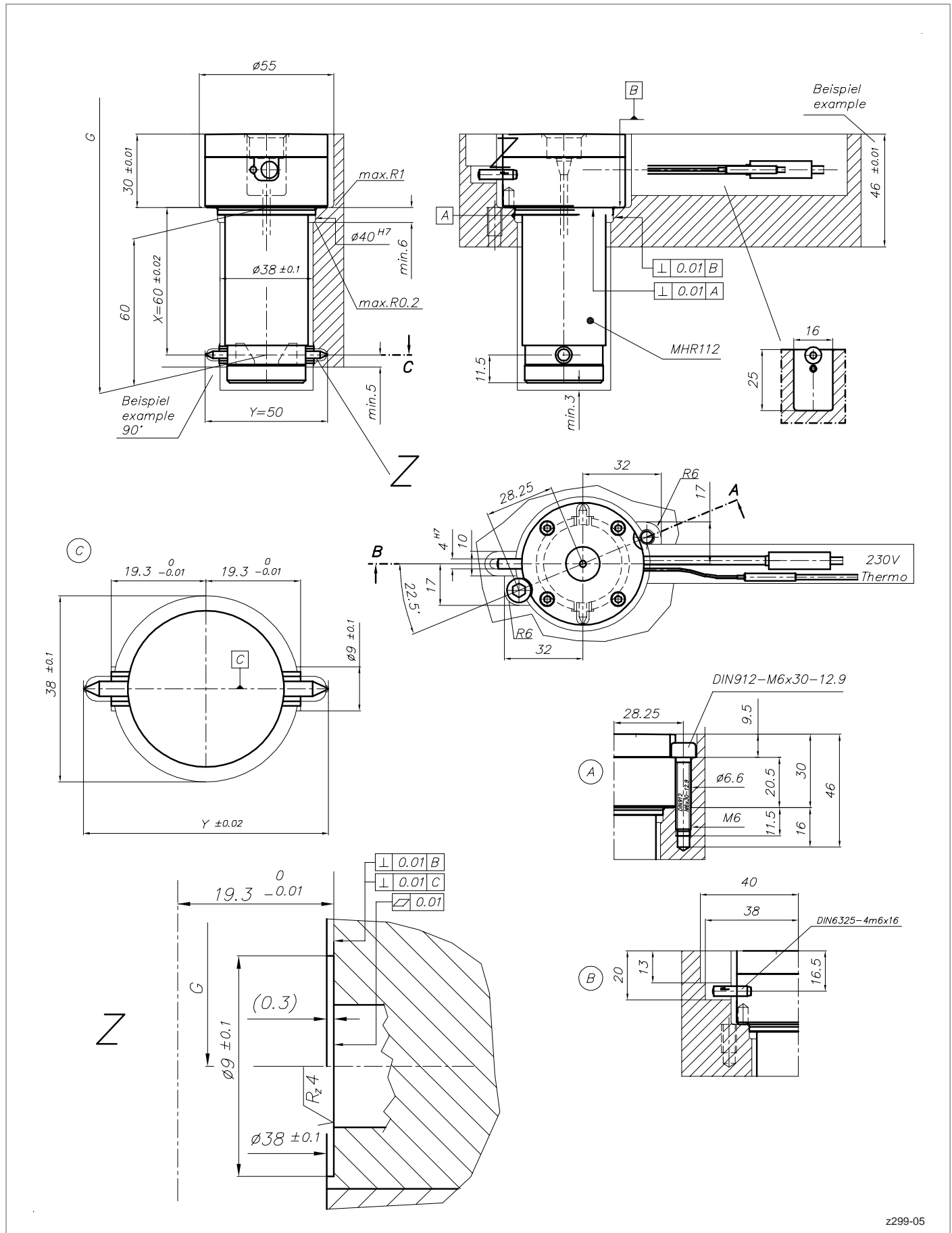
For use with adapter nozzle as single nozzle: **MHR112-93...**

Each nozzle will be configured individually to suit your application requirements. Please contact us!



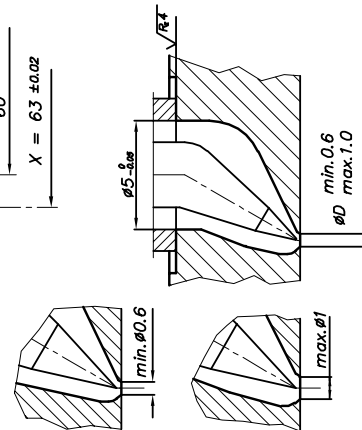
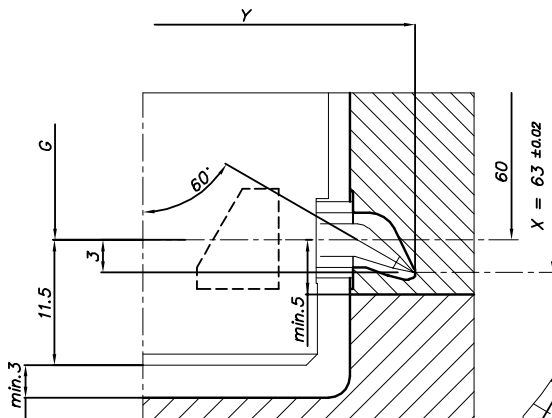
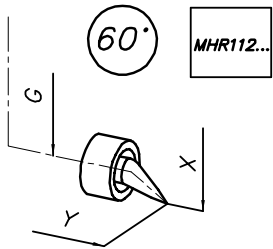
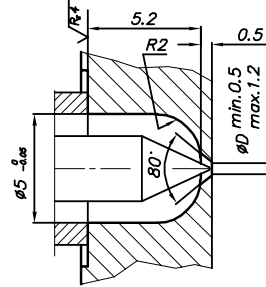
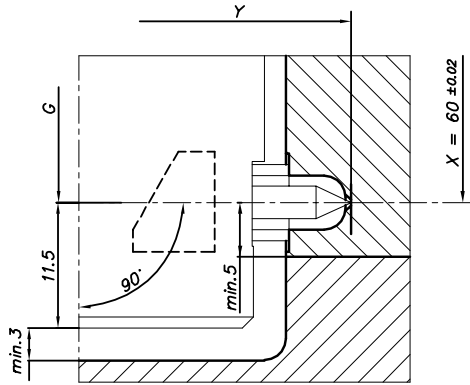
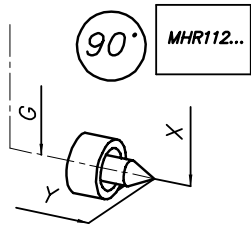
HPS III-MHR112 radial version

Installation

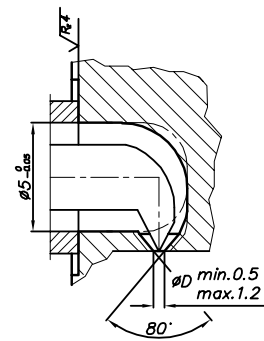
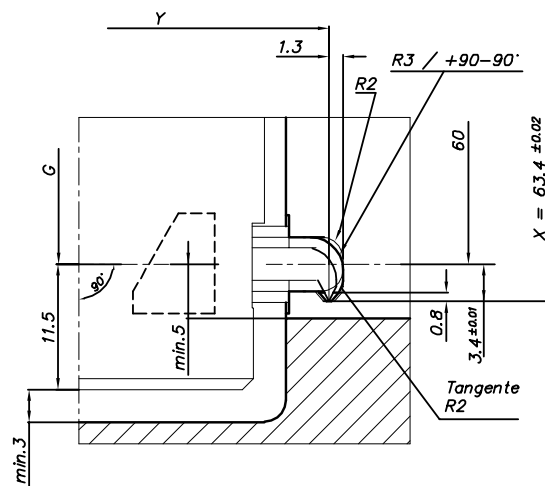
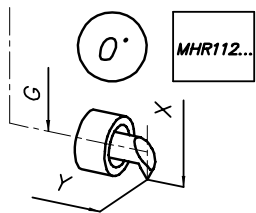


HPS III-MHR112 radial version

Details of gating geometries



Enlarging ØD results in a different gate contour



Adapter nozzle 93309-U01...

for use as single nozzle

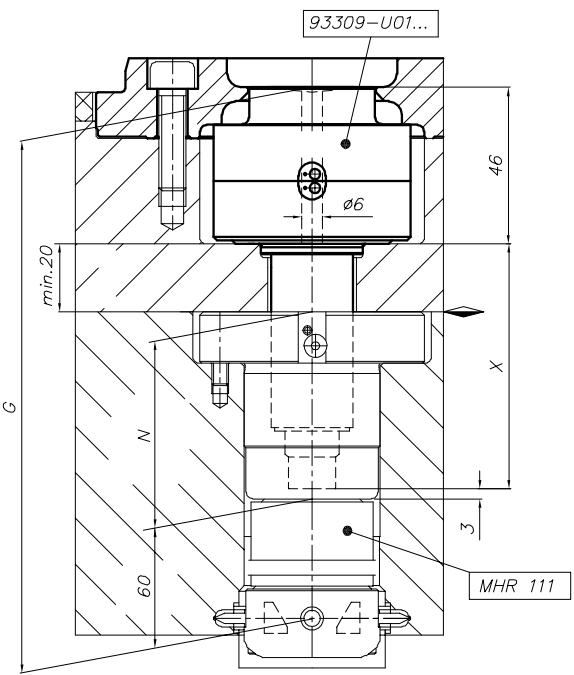
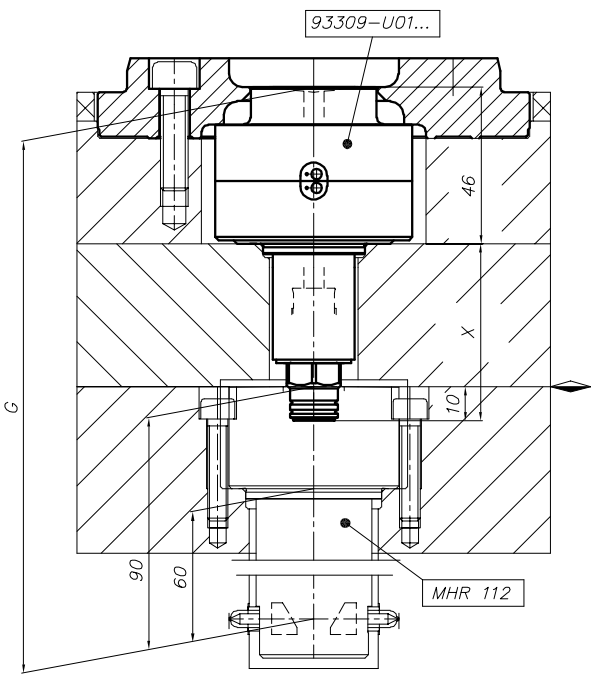
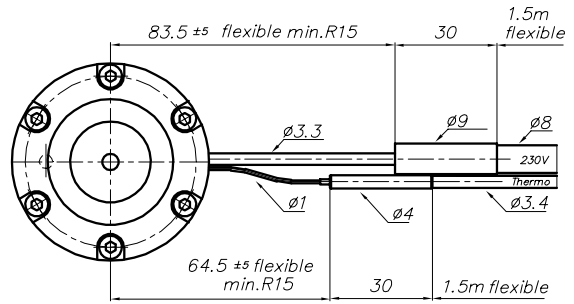
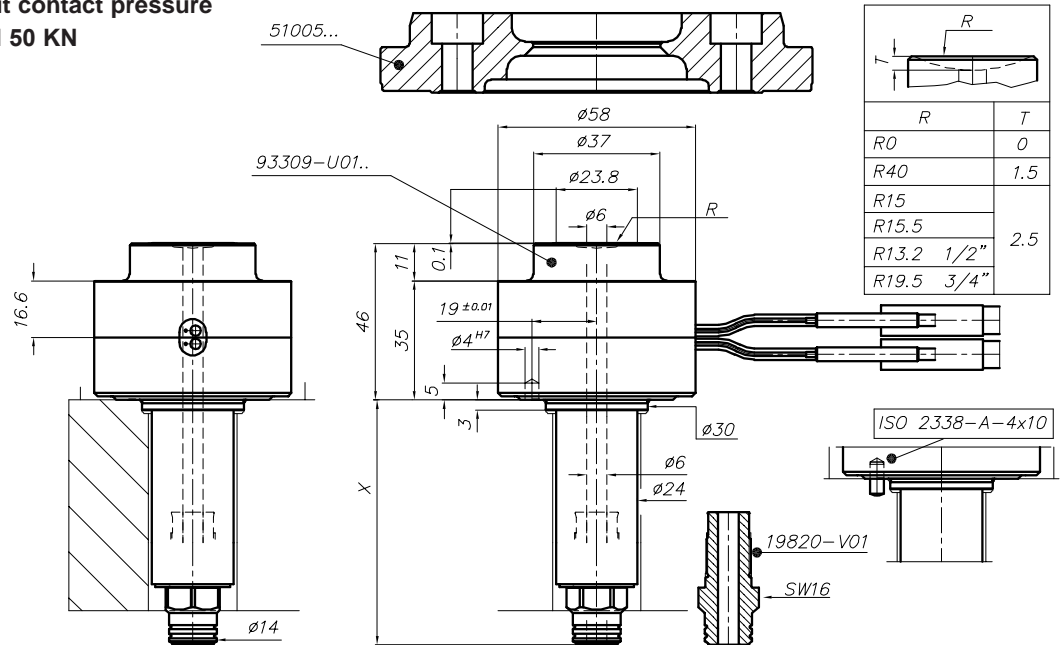
Dim. X	HPS III-MHR 111	HPS III-MHR 112
	Results in Dim. G	Results in Dim. G
52	-	178
72	181	198
92	201	218
112	221	238
132	241	258
152	-	278

Ordering example:

93309-U01.072-040

Machine radius R
Dim. X
Type

ATTENTION!
The injection unit contact pressure must not exceed 50 KN



Adapter nozzle 93309-U01...

Locating ring / Assembly note

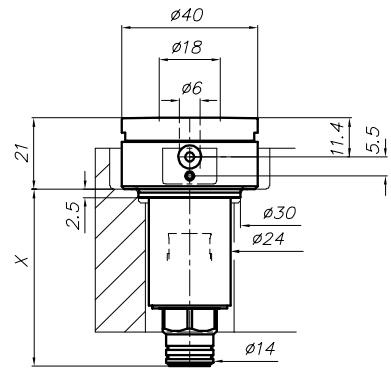
Locating ring 51005 . . .

Plate thickness 36 mm

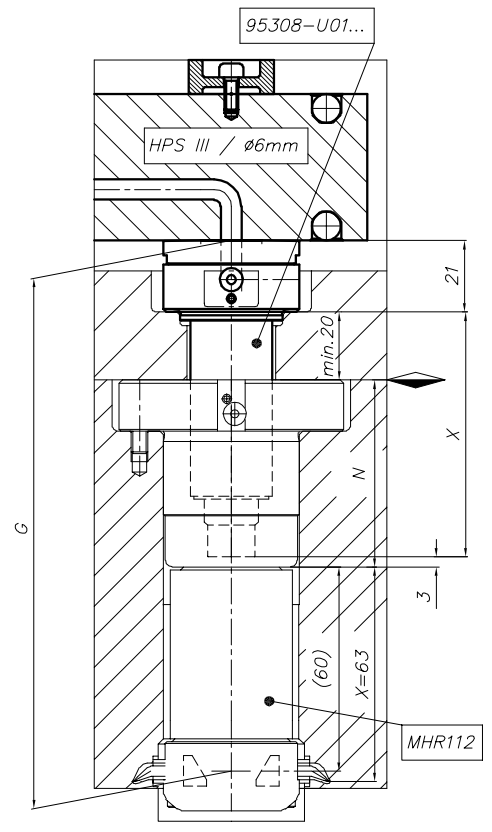
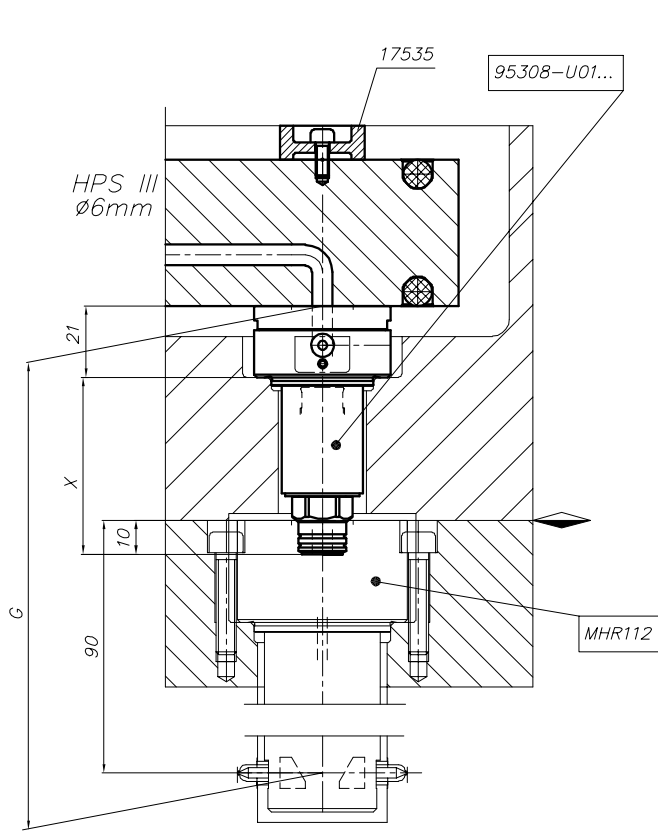
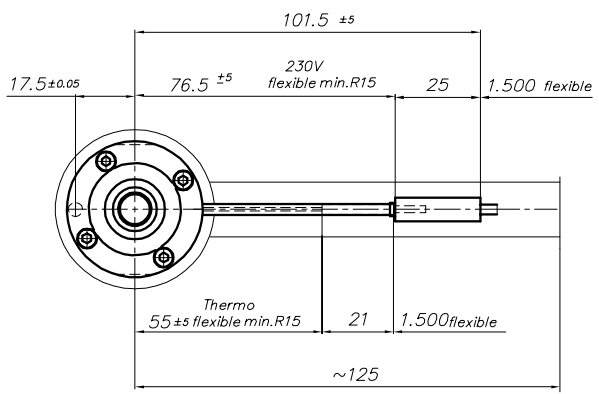
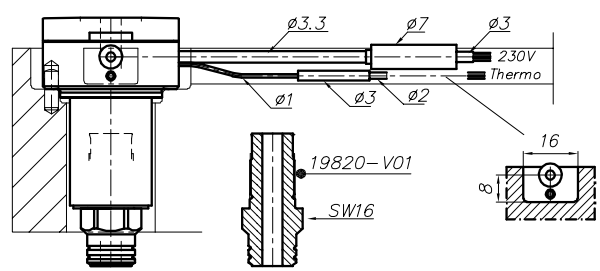
1 Screws:

4 x DIN 912, M8 x 30-12.9, 45 Nm lubricated

Item number	Ø A	Ø C
51005.100	117	99.80
51005.000	118	101.34
51005.110	127	109.80
51005.125	142	124.80
51005.160	177	158.80
51005.175	192	174.80

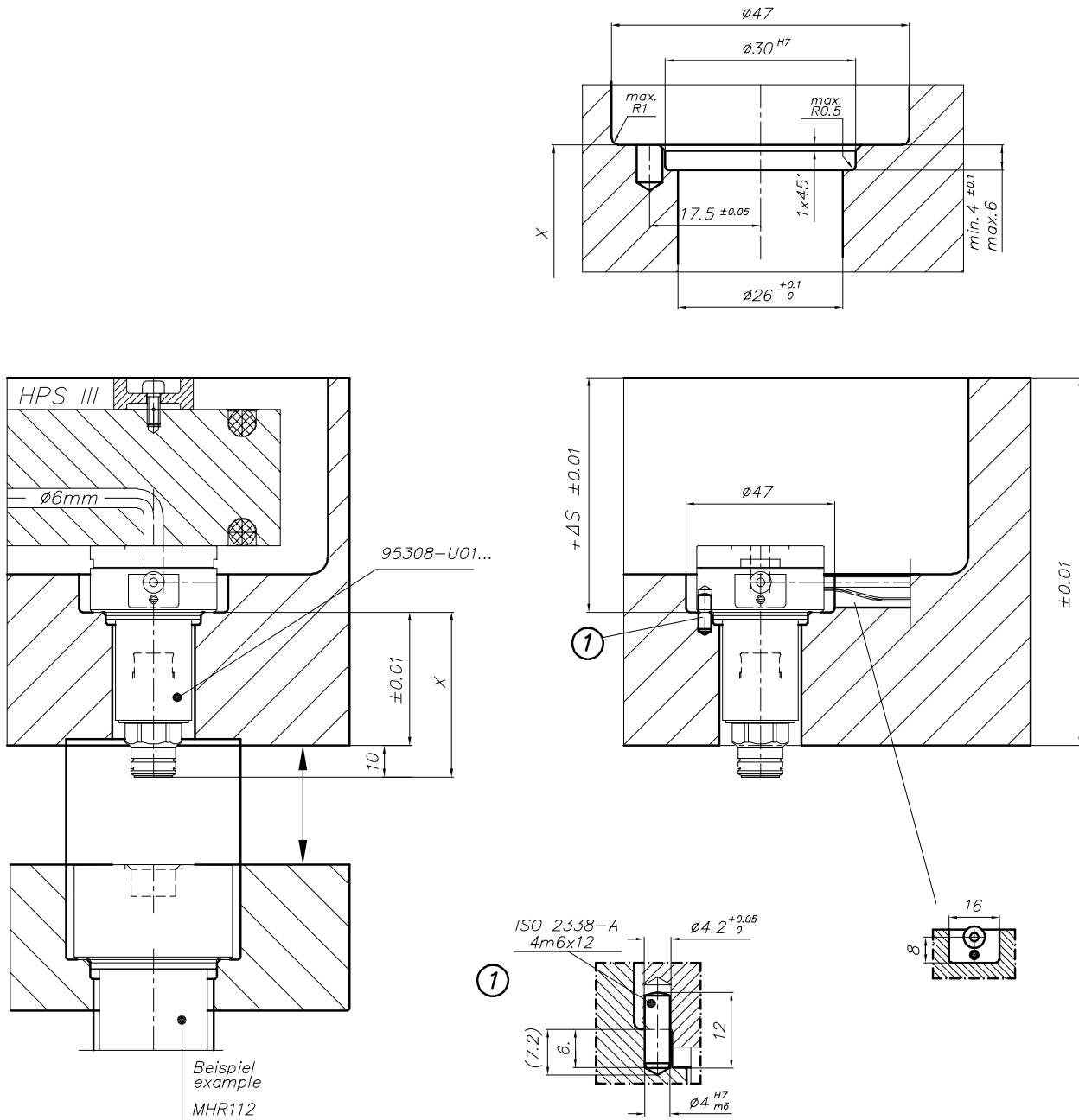


95308-U01...



Adapter nozzle 95308-U01...

Installation



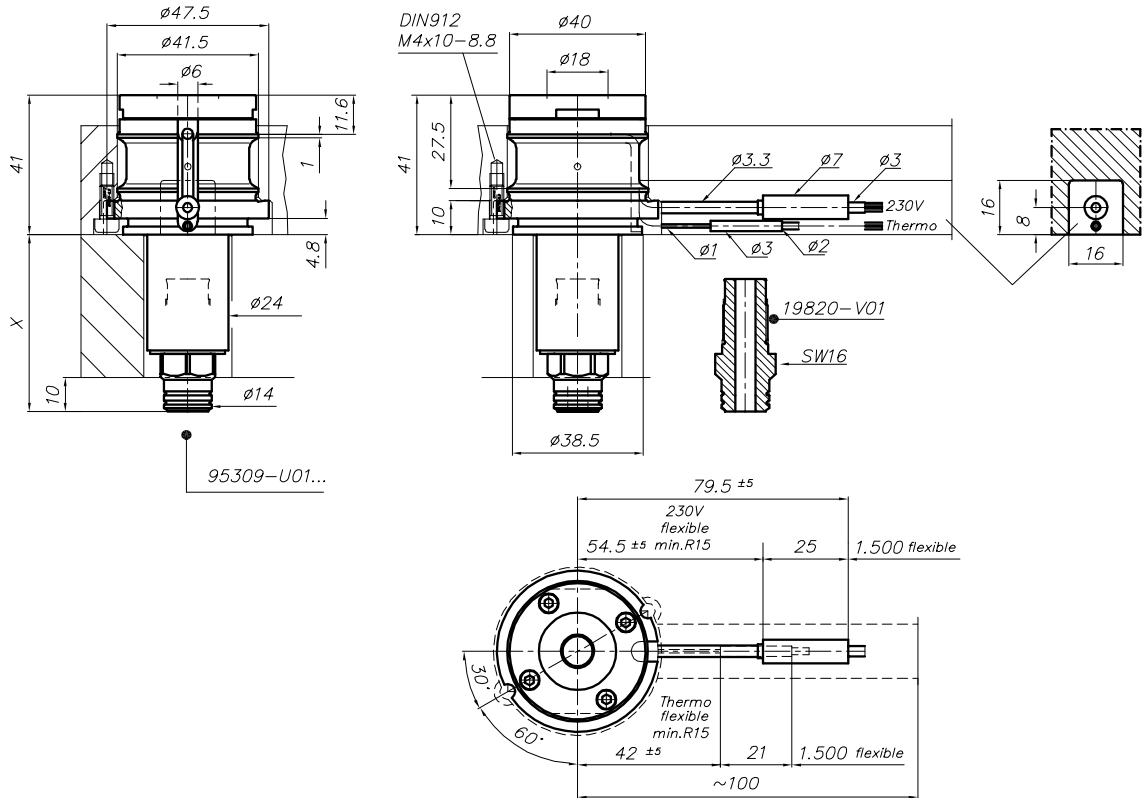
Adapter nozzle 95309-U01...

Front installation for use as system nozzle

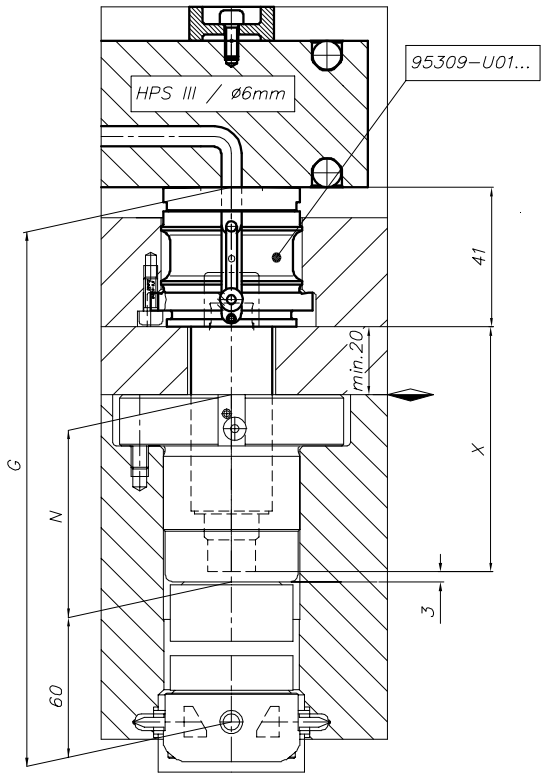
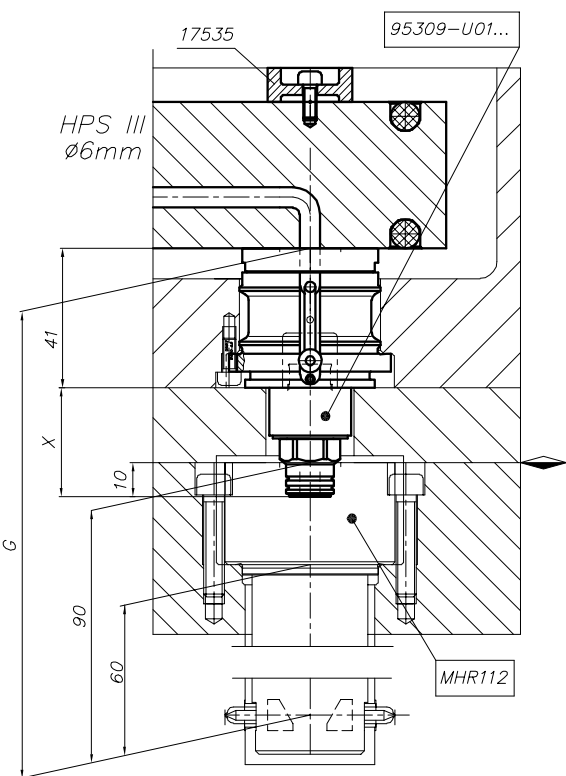
Dim. X	HPS III-MHR 111	HPS III-MHR 112
	Results in Dim. G	Results in Dim. G
52	-	173
72	176	193
92	196	213
112	216	233
132	236	253
152	-	273

Ordering example:

95309-U01.072
└─ Type ─┬─ Dim. X

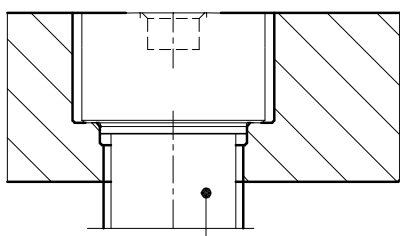
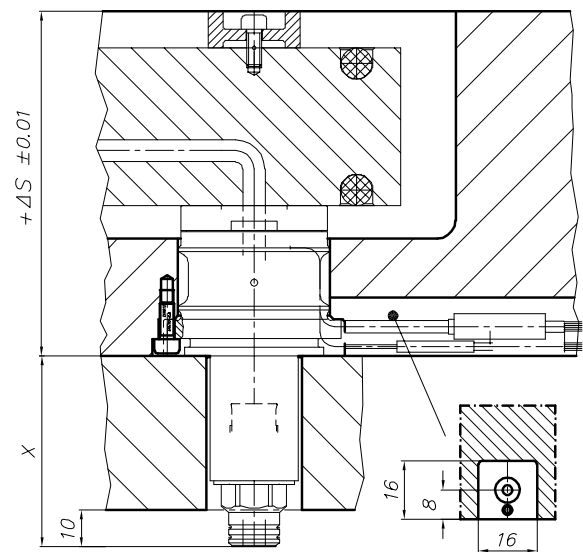
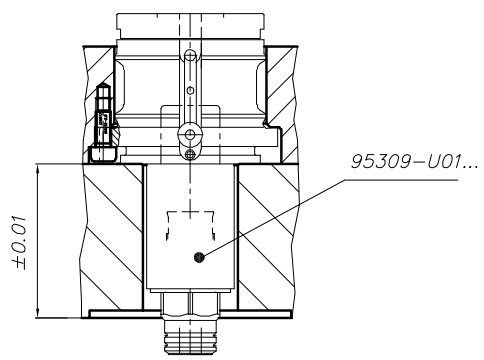
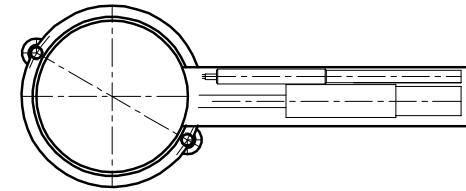
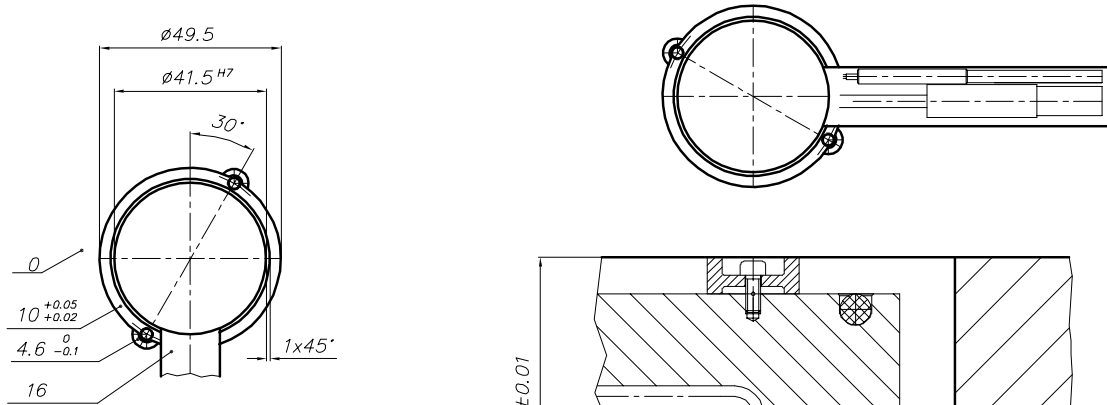


95309-U01...

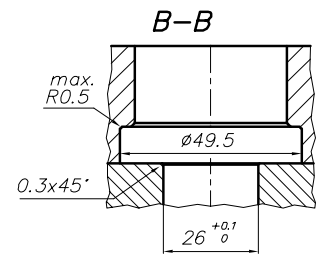
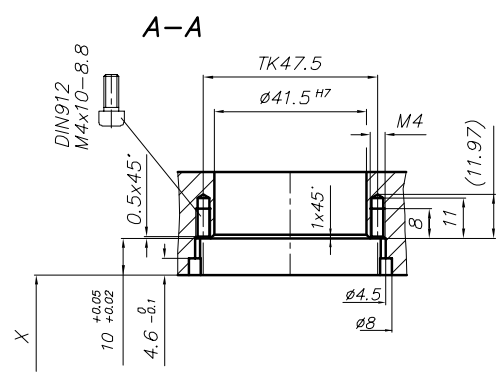
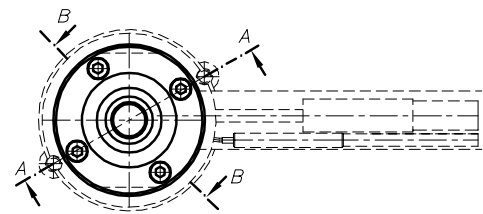


Adapter nozzle 95309-U01...

Installation



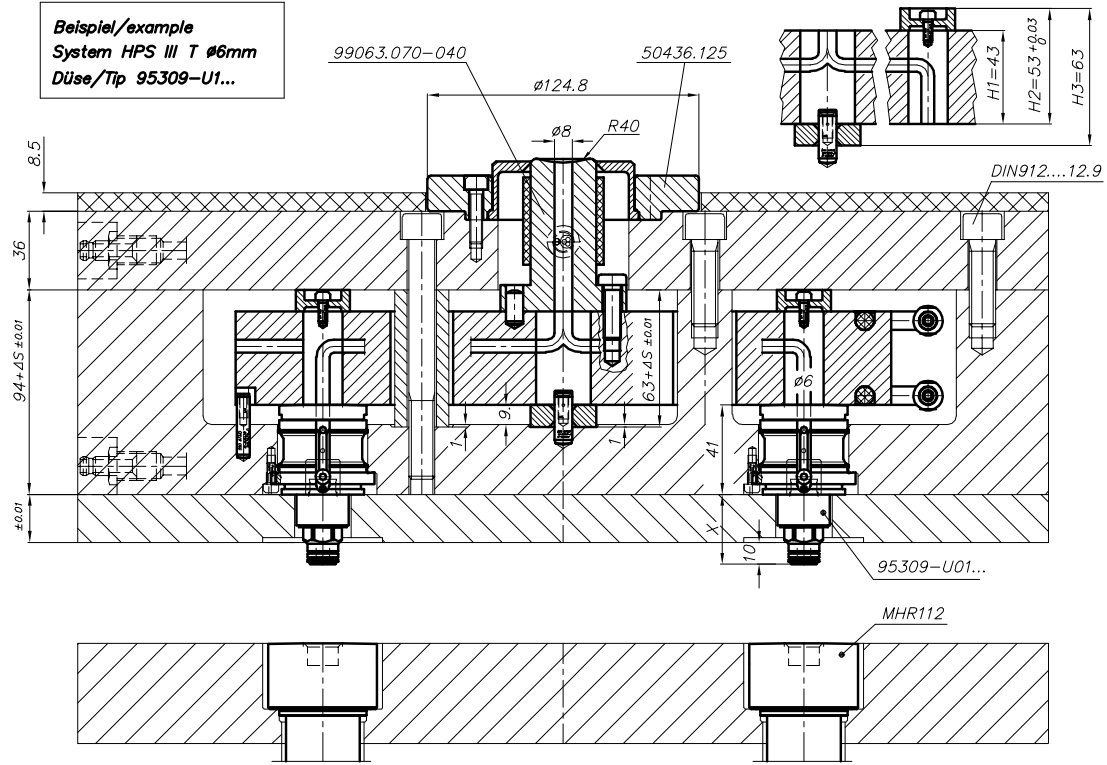
Beispiel
example
MHR112



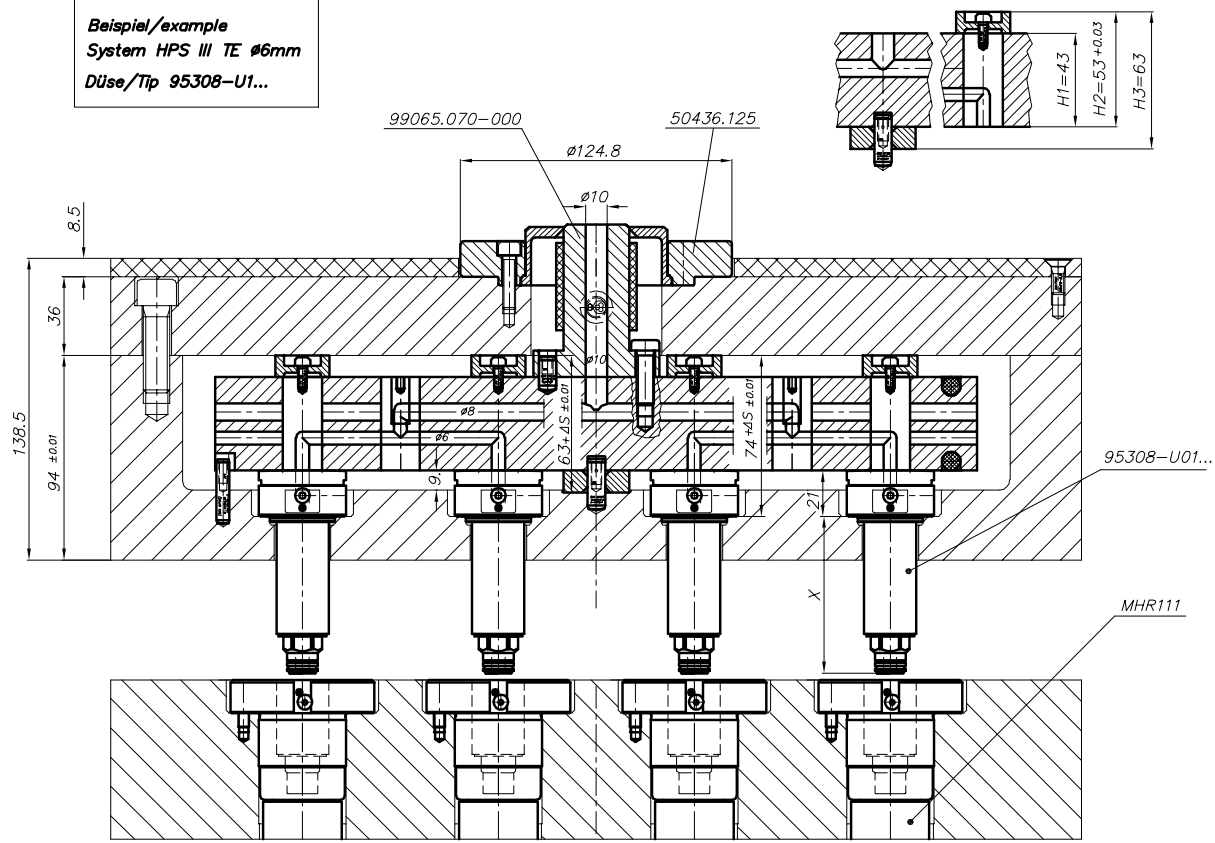
Adapter nozzle 95308-U01... / 95309-U01...

Assembly examples

Beispiel/example
System HPS III T Ø6mm
Düse/Tip 95309-U1...



Beispiel/example
System HPS III TE Ø6mm
Düse/Tip 95308-U1...



EWIKON
Heißkanalsysteme GmbH
Siegener Straße 35
35066 Frankenberg / Germany
Tel: +49 6451 501-0
E-Mail: info@ewikon.com
www.ewikon.com

Your EWIKON partner: