



## HPS III-MHR100 radial version

Technical data

Version 02/2020

# HPS III-MHR100 radial version

Single nozzle and system nozzle

## Dimensions and tip versions

Version	System nozzle	Single nozzle					
Machine radius ( <b>Dim. R</b> )	--	0	15	15.5	40	1/2" (13.2)	3/4" (19.5)
<b>Dim. T</b>	--	0	2	2	0.8	2	1.8
Locating ring	--	Item number 50456... Diameter .100 / .110 / .125 / .160 / .175					

Number of tips <sup>(1)</sup>	2, 4, 8		
Nozzle length ( <b>Dim. G</b> ) <sup>(2)</sup>	105	114	144
Height of nozzle holder for system nozzle ( <b>Dim. N</b> )	15	15 - 24	15 - 54

Tip versions	90°	60°	0°	NV (valve gate)
Pitch diameter ( <b>Dim. Y</b> )	58	58	54	54
<b>Dim. X</b>	60	63	63.4	64
Recommended gate diameters	0.5 - 1.2	0.6 - 1.0	0.5 - 1.2	0.8 - 1.2

(1) Other number of tips available on request

(2) Other nozzle lengths available on request

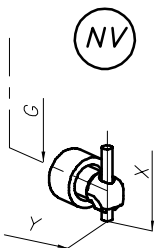
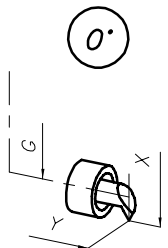
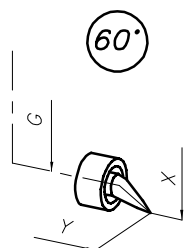
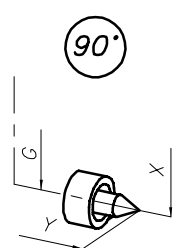
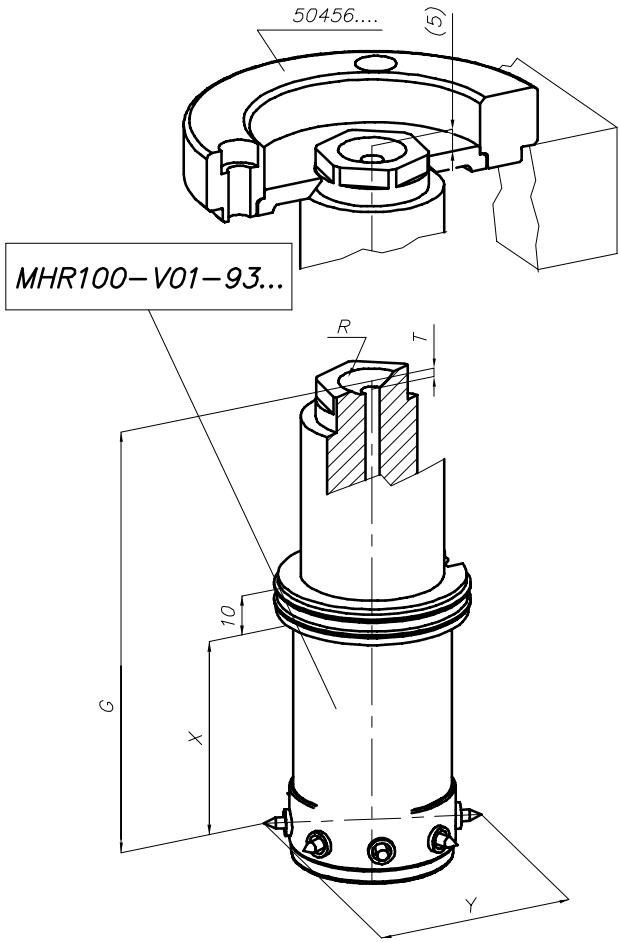
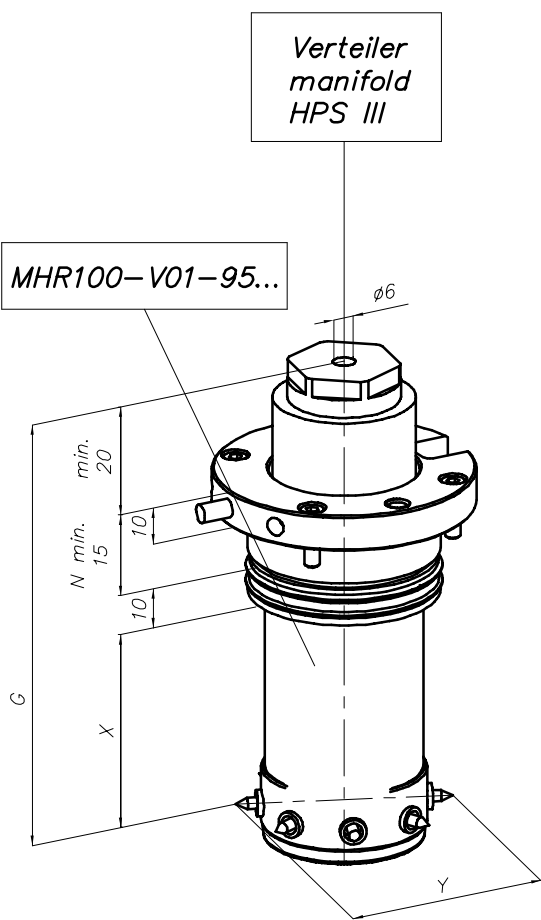
### Item numbers:

System nozzle: **MHR100-V01-95...**

Single nozzle: **MHR100-V01-93...**

**Each nozzle will be configured individually to suit your application requirements. Please contact us!**

**ATTENTION!**  
The injection unit contact pressure must not exceed 30 KN



# HPS III-MHR100 radial version

Assembly example for single nozzle

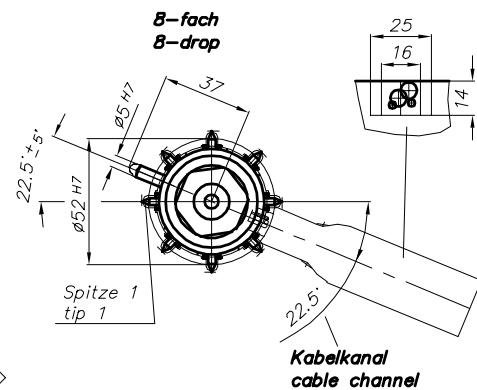
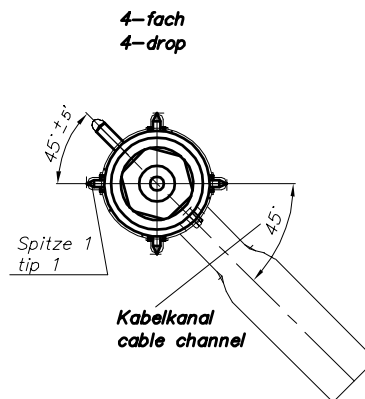
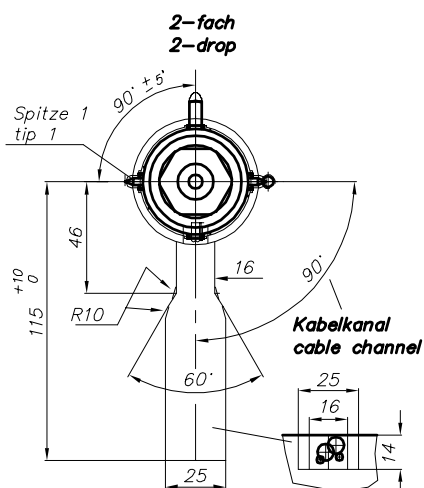
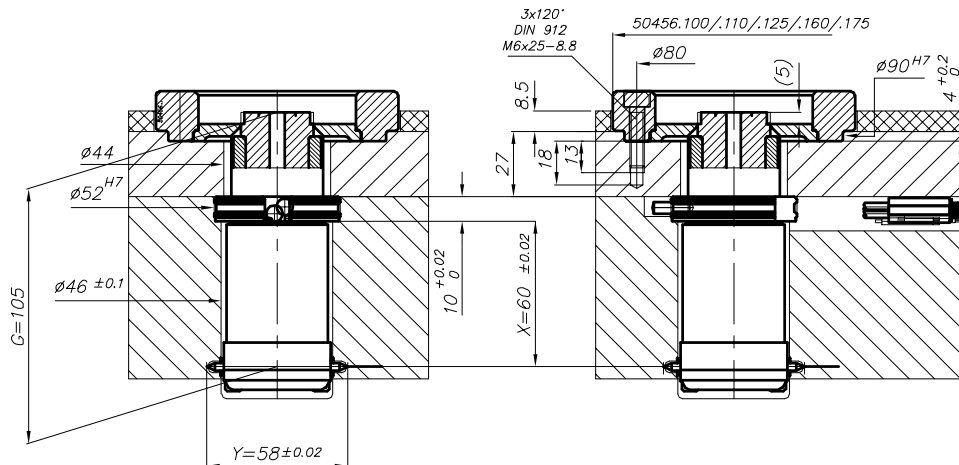
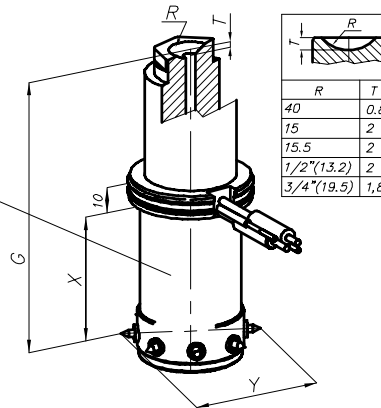
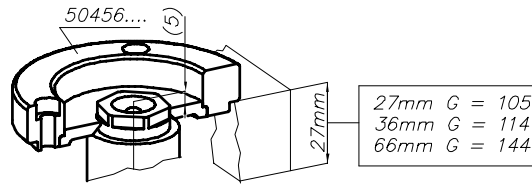
From dimension X  
the installation is identical  
to the system nozzle  
installation (see right page)

### ATTENTION!

The injection unit  
contact pressure  
must not exceed 30 KN

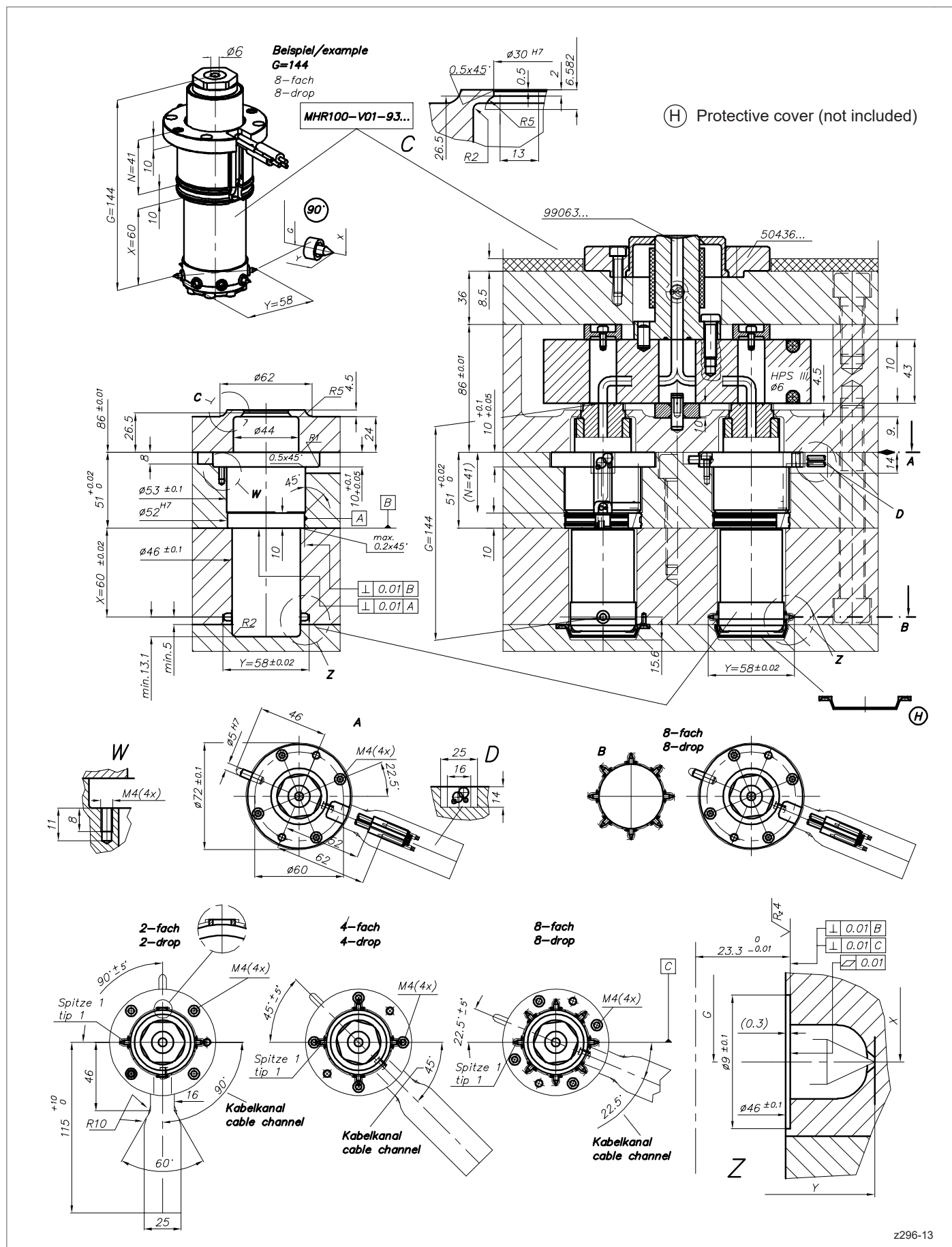
*Beispiel/example*  
G=105

MHR100-V01-93...



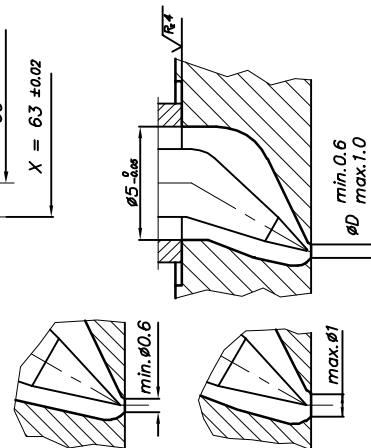
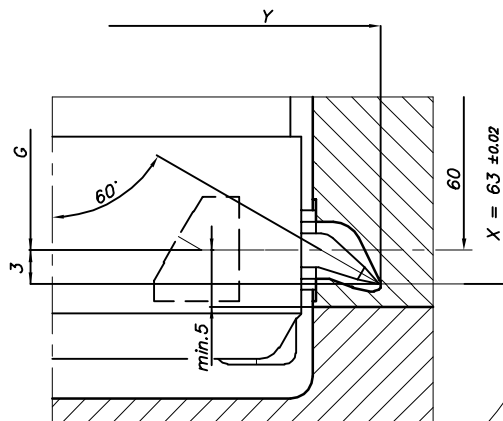
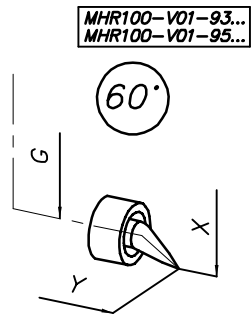
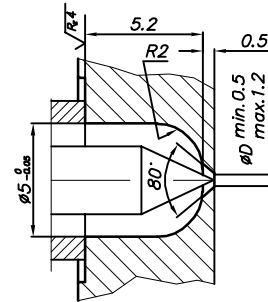
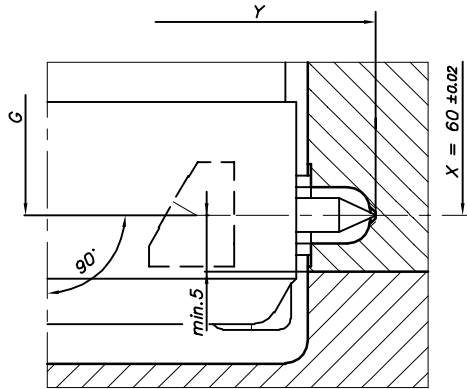
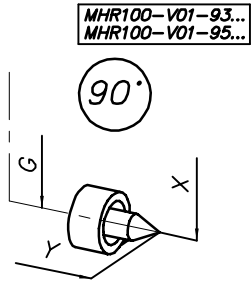
# HPS III-MHR100 radial version

Assembly example for system nozzle

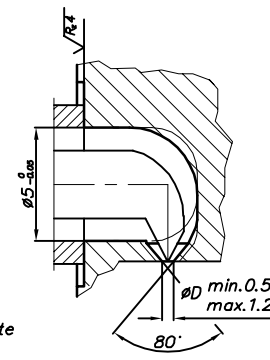
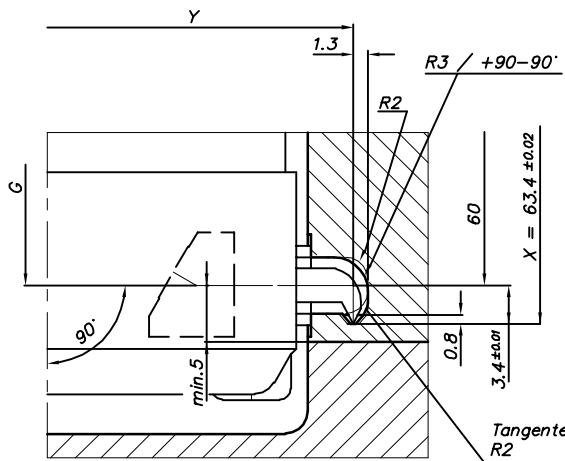
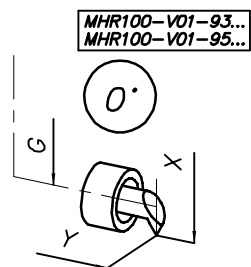


# HPS III-MHR100 radial version

## Details of gating geometries



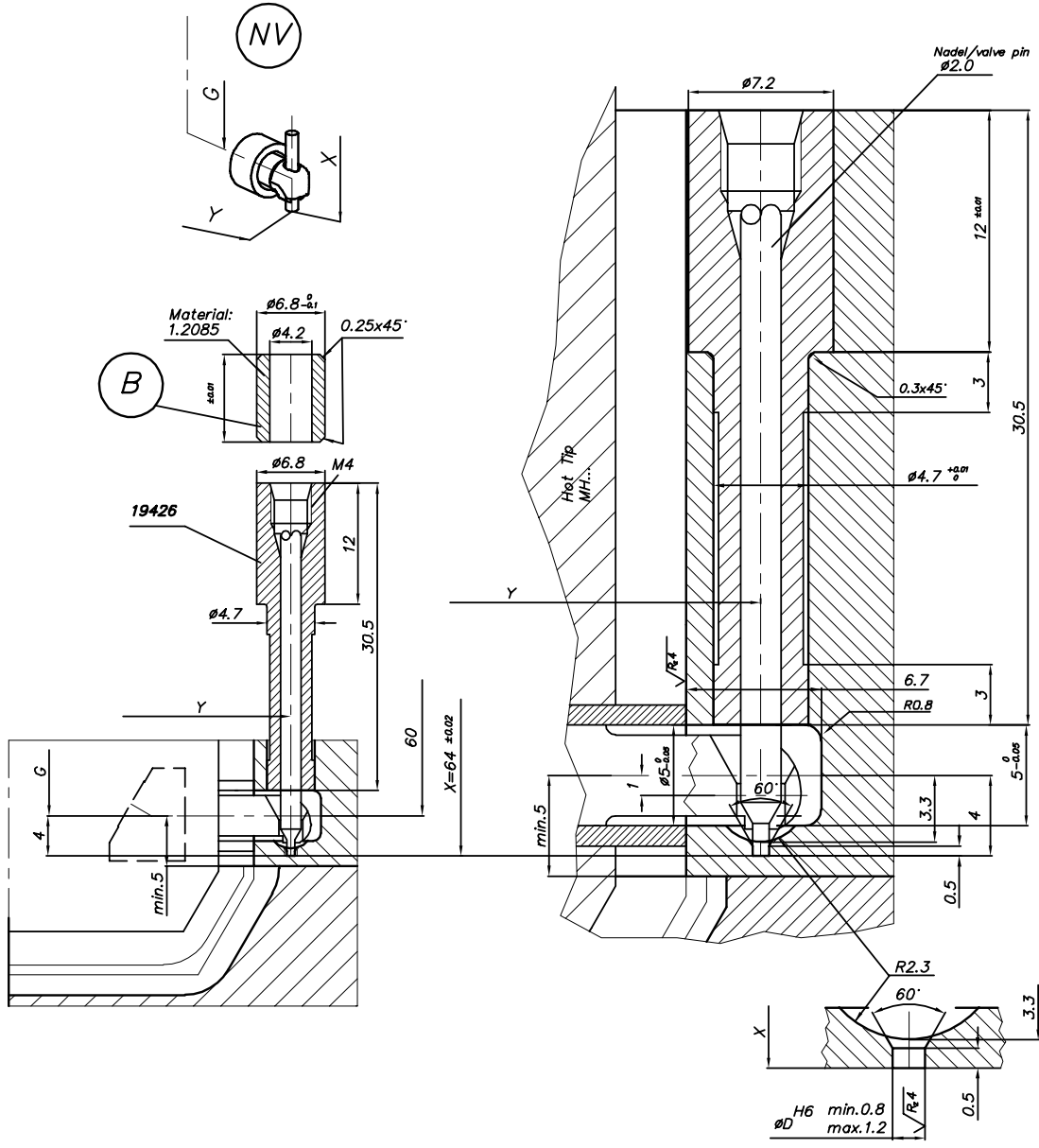
Enlarging  $\varnothing D$  results in a different gate contour



19426 = Valve pin guide and seal  
(please also see page 7)

(B) = Distance sleeve, if required.  
Not included in delivery.

MHR100-V01-93...  
MHR100-V01-95...



**EWIKON**  
**Heißkanalsysteme GmbH**  
Siegener Straße 35  
35066 Frankenberg / Germany  
Tel: +49 6451 501-0  
E-Mail: [info@ewikon.com](mailto:info@ewikon.com)  
[www.ewikon.com](http://www.ewikon.com)

Your EWIKON partner: