



## HPS III-MHR200 radial version

Technical data

Version 12/2018

# HPS III-MHR200 radial version

Single nozzle and system nozzle

## Dimensions and tip versions

Version	System nozzle	Single nozzle					
Machine radius ( <b>Dim. R</b> )	--	0	15	15.5	40	1/2" (13.2)	3/4" (19.5)
<b>Dim. T</b>	--	0	2	2	0.8	2	1.8
Locating ring	--	Item number 50456... Diameter .100 / .110 / .125 / .160 / .175					

Number of tips	1, 2, 4		
Nozzle length ( <b>Dim. G</b> ) <sup>(1)</sup>	105	114	144
Height of nozzle holder for system nozzle ( <b>Dim. N</b> )	15	15 - 24	15 - 54

Tip versions	90°	60°	0°
Pitch diameter ( <b>Dim. Y</b> )	60	60	56
<b>Dim. X</b>	60	64.5	65
Recommended gate diameters	0.8 - 1.5	0.8 - 1.5	0.8 - 1.5

(1) Other nozzle lengths available on request

### Item numbers:

System nozzle: **MHR200-V01-95...**

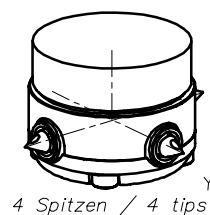
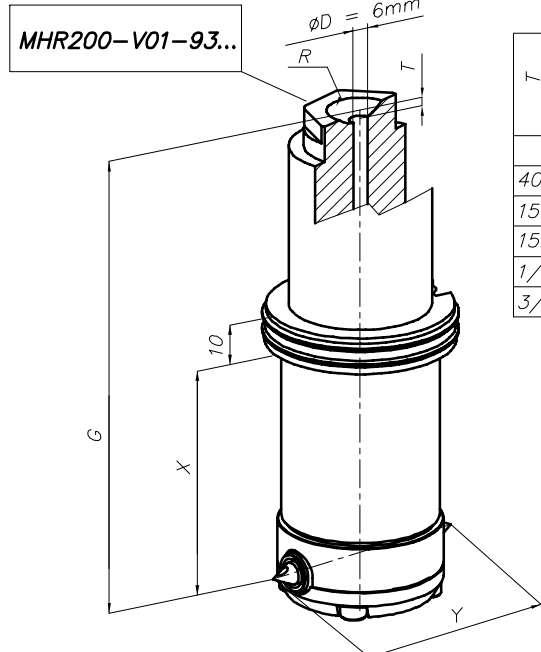
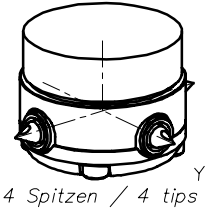
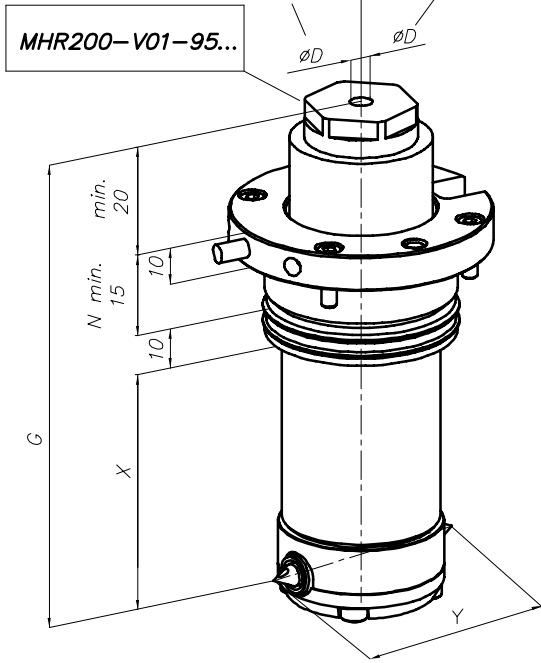
Single nozzle: **MHR200-V01-93...**

**Each nozzle will be configured individually to suit your application requirements. Please contact us!**

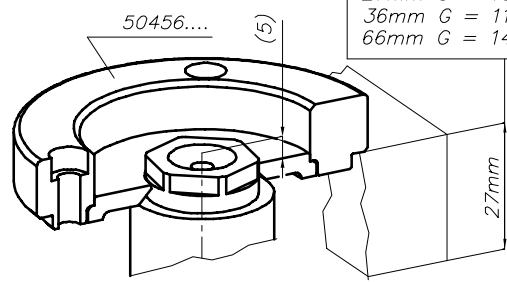
**ATTENTION!**  
The injection unit contact pressure must not exceed 30 KN

**HPS III Verteiler manifold**  
2 Spitze / 2 tips = 6mm  
4 Spitzen / 4 tips = 10mm

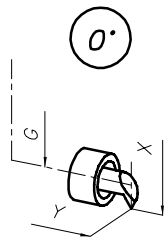
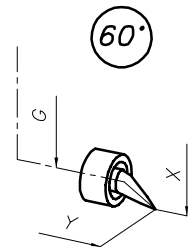
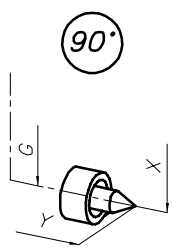
1 Spitze / 1 tip  
2 Spitze / 2 tips    4 Spitzen / 4 tips  
øD = 6                    øD = 10/8



27mm G = 105  
36mm G = 114  
66mm G = 144



R	T
40	0.8
15	2
15.5	2
1/2"(13.2)	2
3/4"(19.5)	1.8

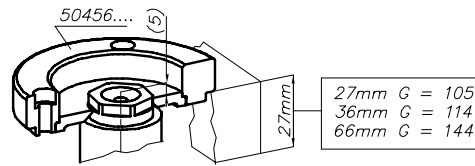


# HPS III-MHR200 radial version

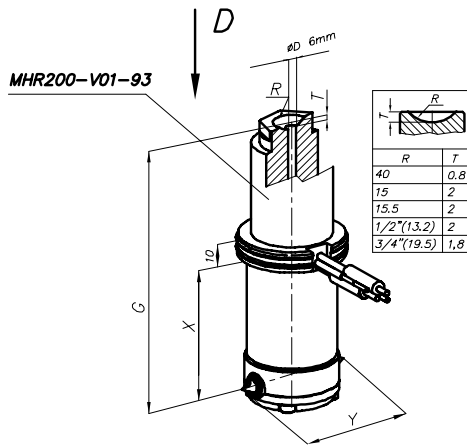
Assembly example for single nozzle

From dimension X  
the installation is identical  
to the system nozzle  
installation (see right page)

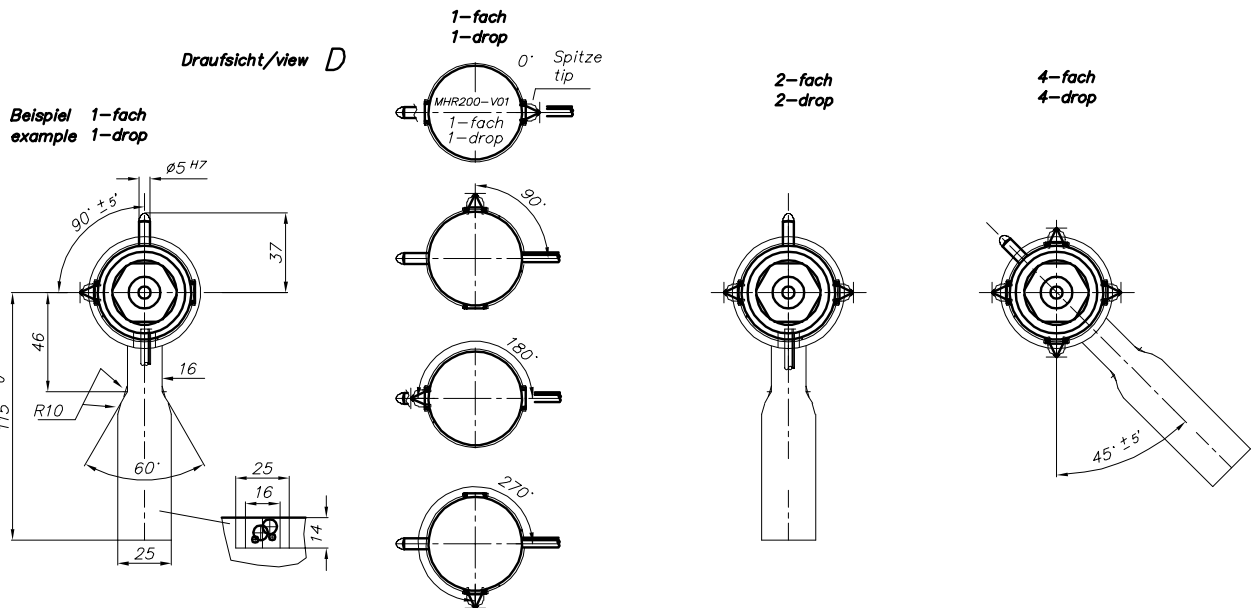
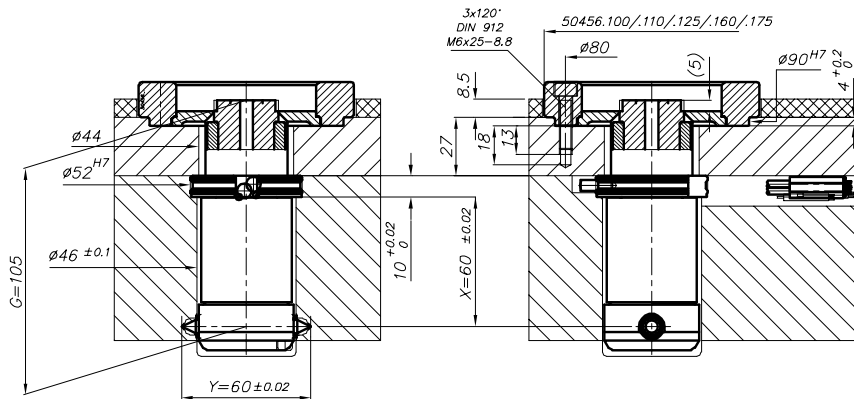
**ATTENTION!**  
The injection unit  
contact pressure  
must not exceed 30 KN



27mm	G = 105
36mm	G = 114
66mm	G = 144



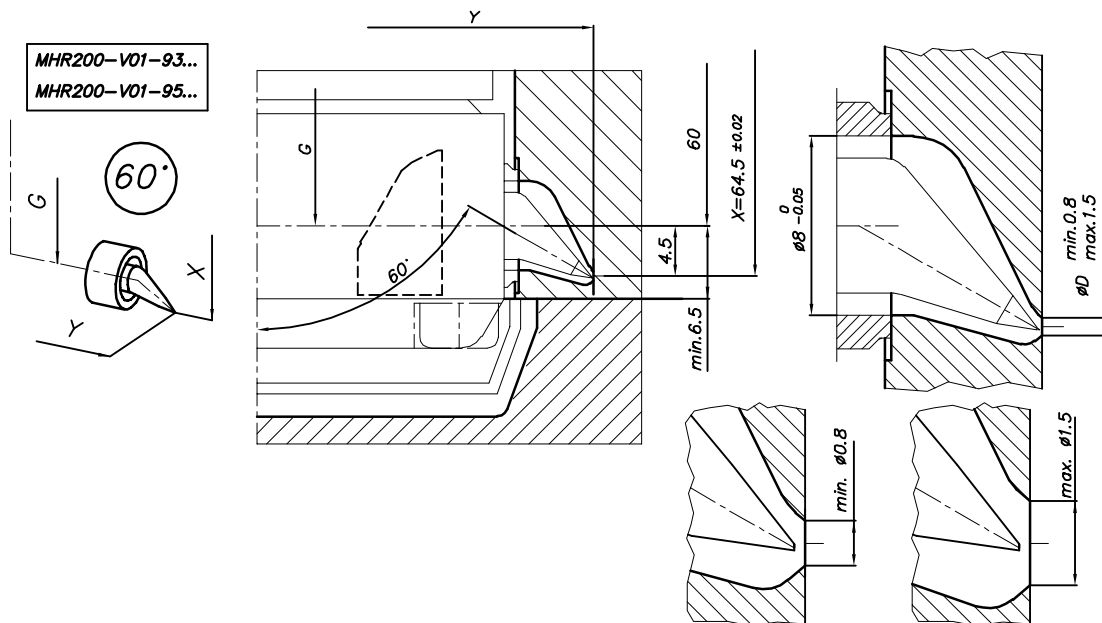
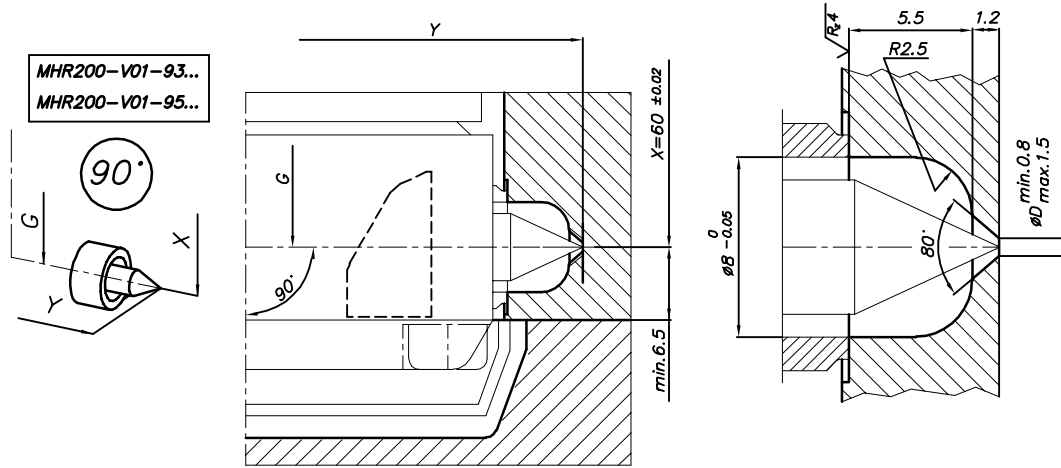
Beispiel/example  
G=105





# HPS III-MHR200 radial version

## Details of gating geometries

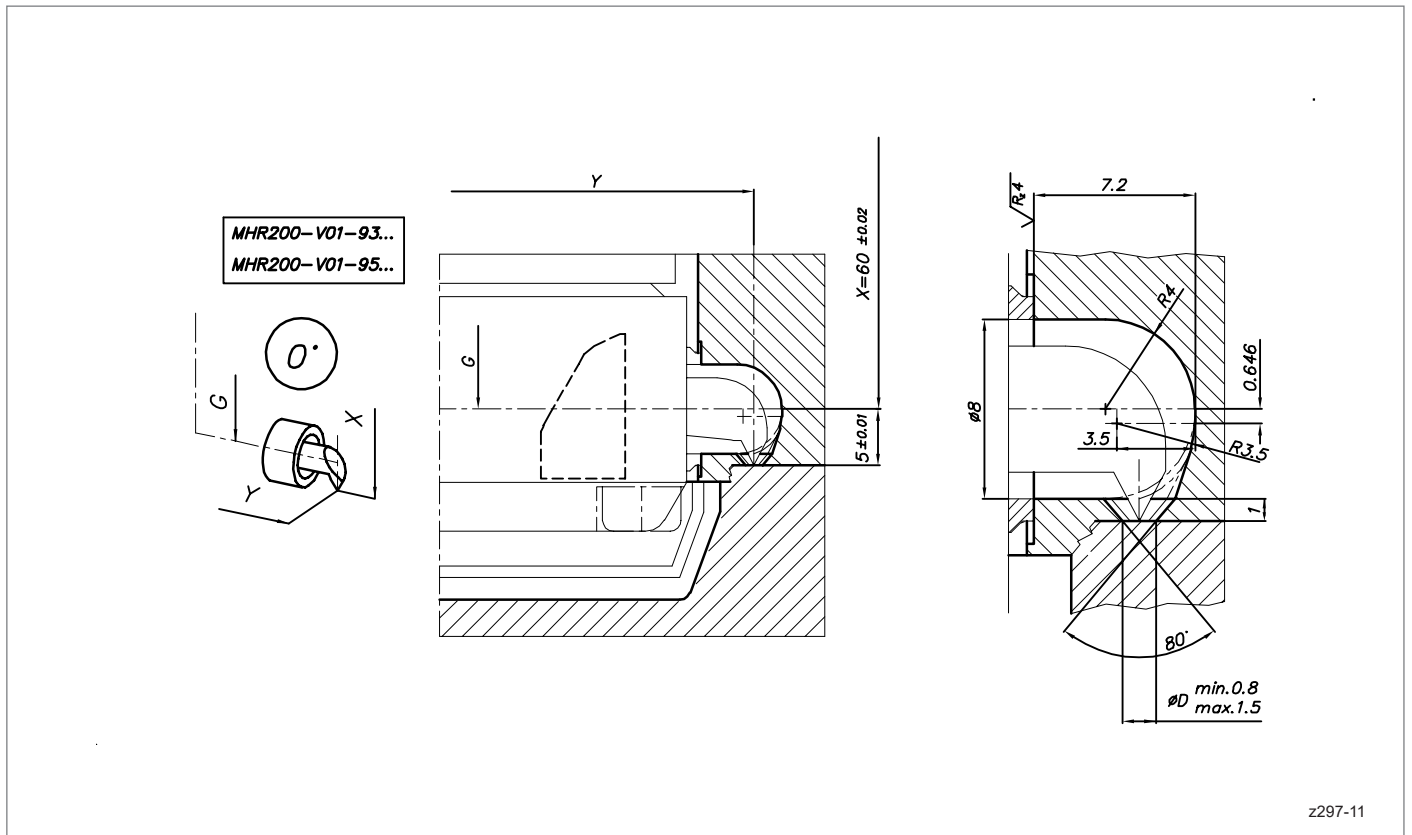


Beispiel/example

Enlarging ØD results in a different gate contour

# HPS III-MHR200 radial version

Details of gating geometries



z297-11

**EWIKON**  
**Heißkanalsysteme GmbH**  
Siegener Straße 35  
35066 Frankenberg / Germany  
Tel: +49 6451 501-0  
E-Mail: [info@ewikon.com](mailto:info@ewikon.com)  
[www.ewikon.com](http://www.ewikon.com)

Your EWIKON partner: