



HPS III-MHR122 radial version

Technical data

Version 12/2018

HPS III-MHR122 radial version

for use as system nozzle directly under the manifold

Dimensions and tip versions

Number of tips	1, 2
Version	System nozzle for standard installation
Nozzle length (Dim. G) ⁽¹⁾	90

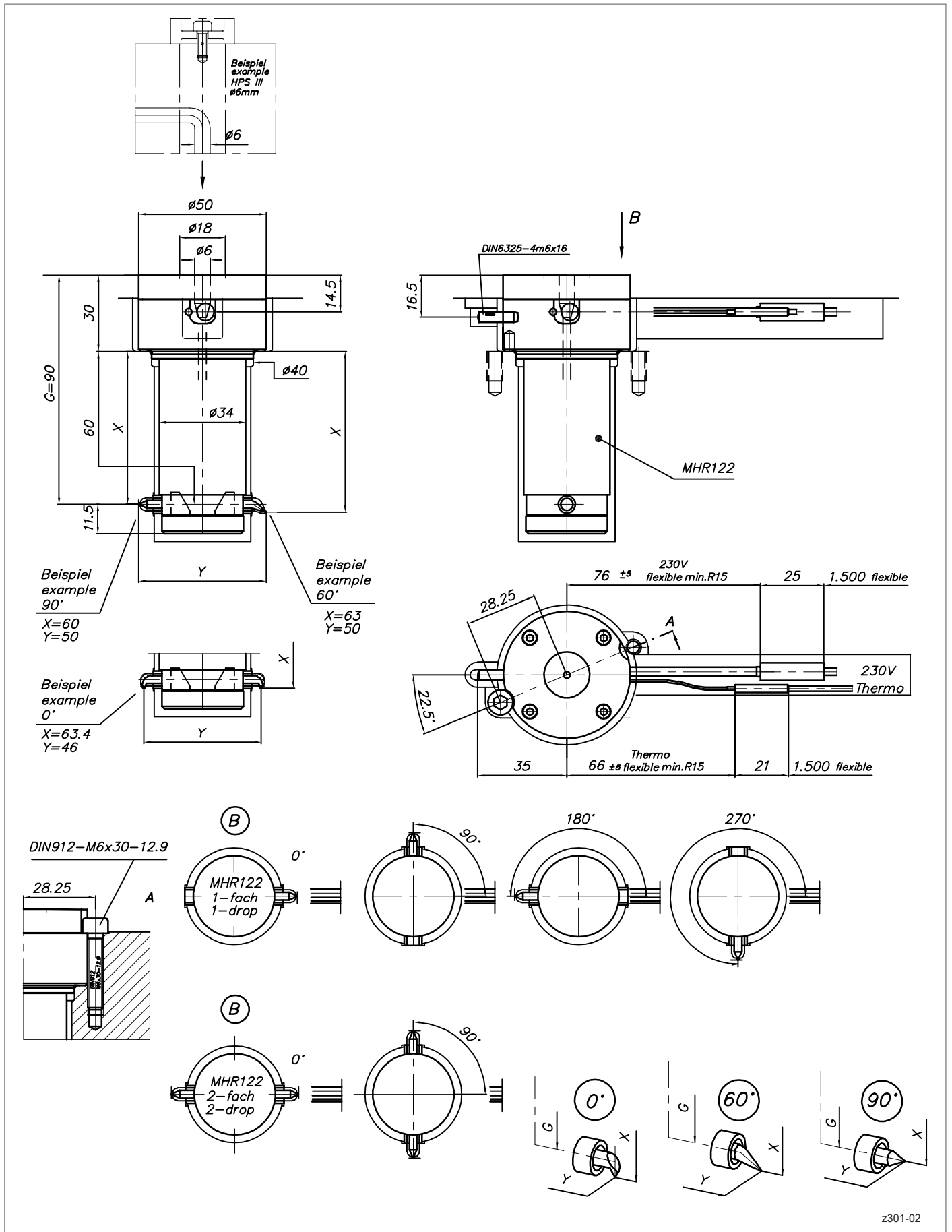
Tip versions	90°	60°	0°
Pitch diameter (Dim. Y)	50	50	46
Dim. X	60	63	63.4
Recommended gate diameters	0.5 - 1.2	0.6 - 1.0	0.5 - 1.2

(1) Other nozzle lengths available on request

Item number:

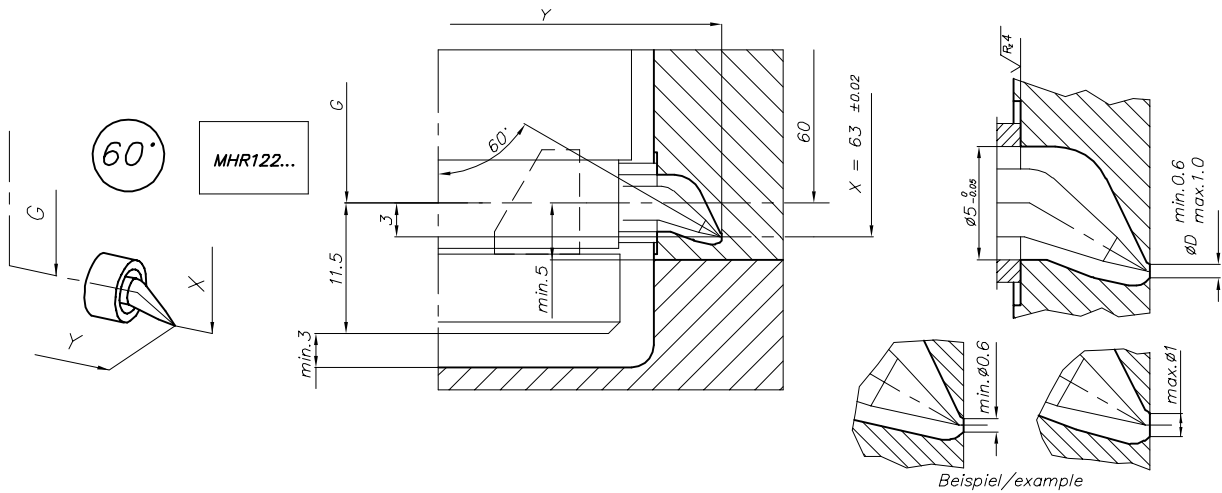
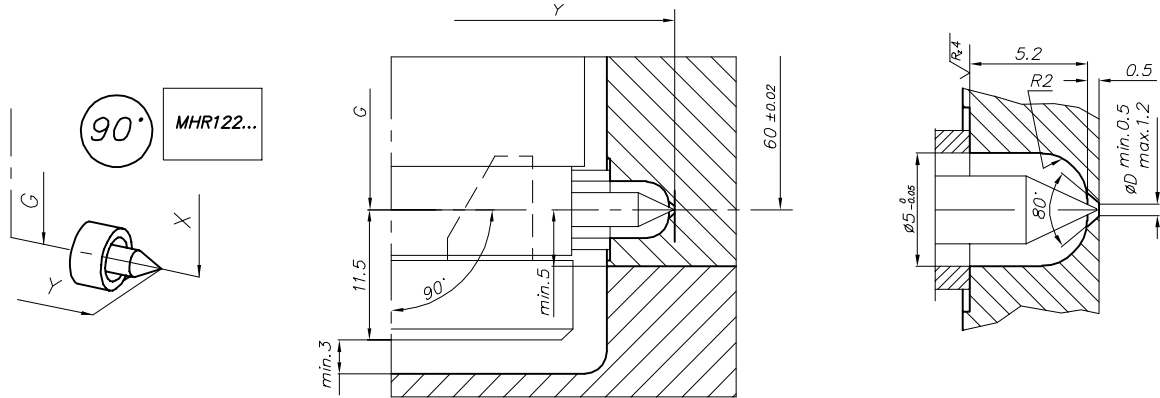
System nozzle: **MHR122-95...**

Each nozzle will be configured individually to suit your application requirements. Please contact us!

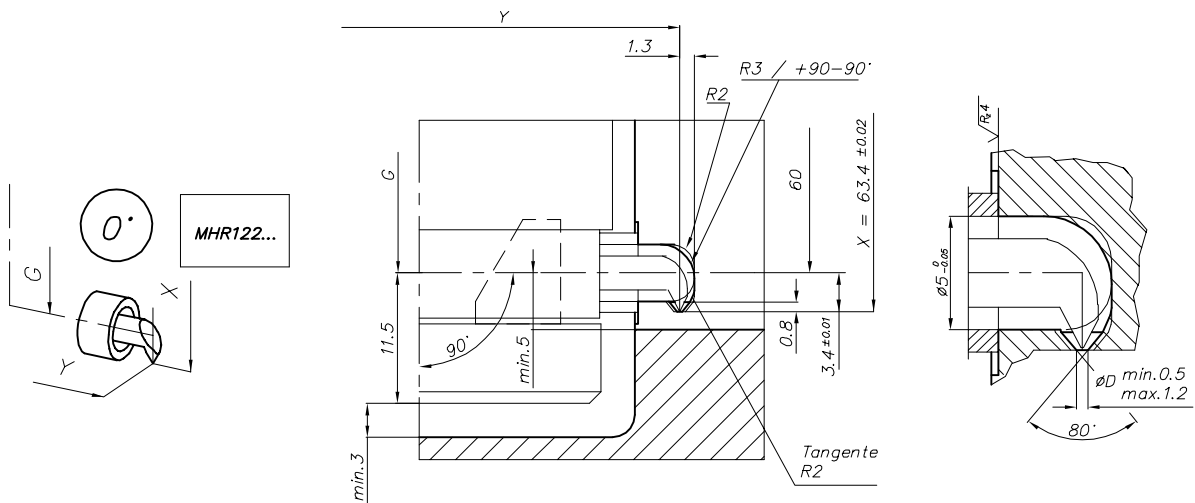


HPS III-MHR122 radial version

Details of gating geometries

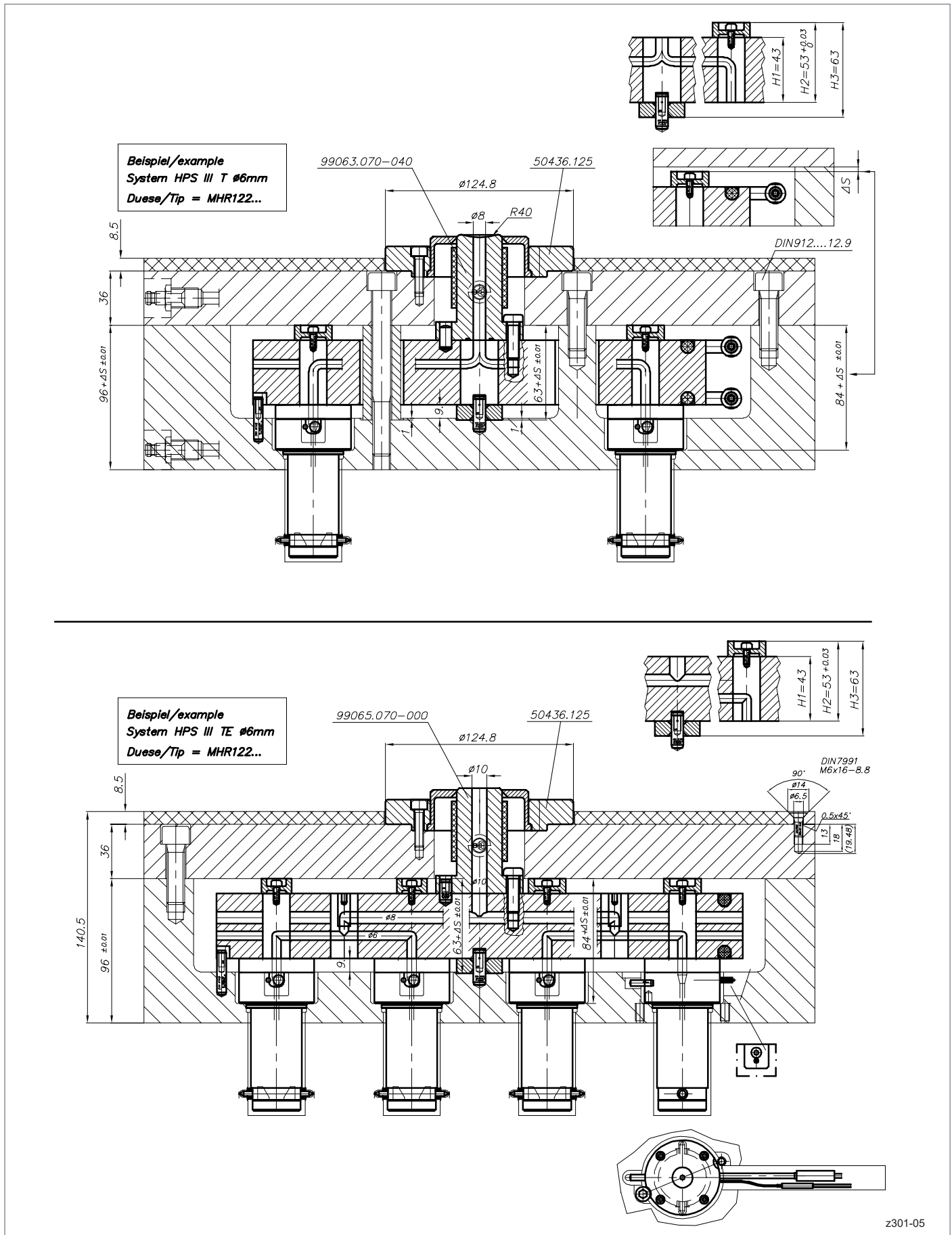


Enlarging ØD results in a different gate contour



HPS III-MHR122 radial version

Assembly example



EWIKON
Heißkanalsysteme GmbH
Siegener Straße 35
35066 Frankenberg / Germany
Tel: +49 6451 501-0
E-Mail: info@ewikon.com
www.ewikon.com

Your EWIKON partner: